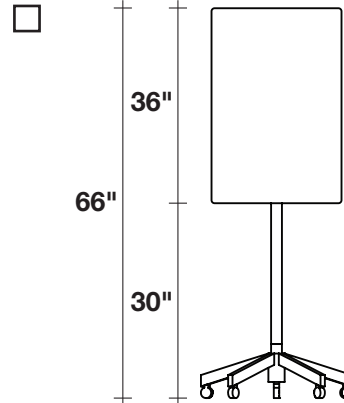
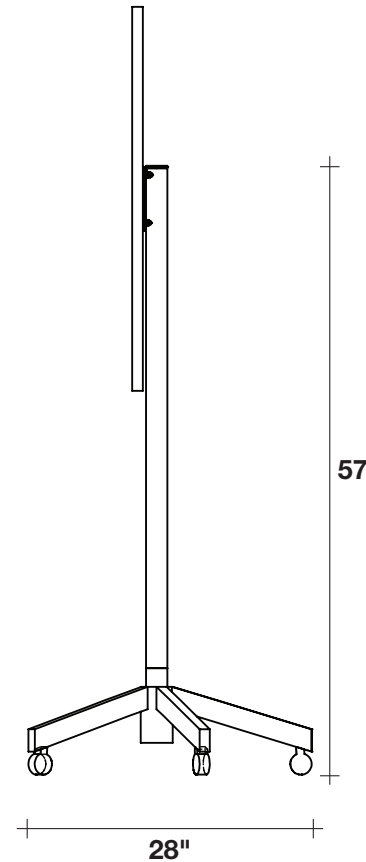
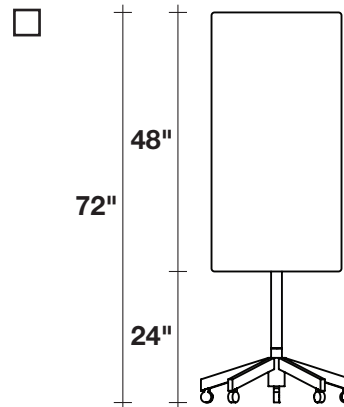




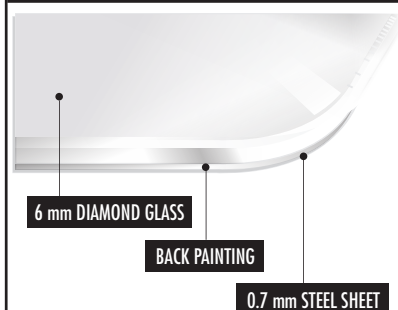
Small



Tall



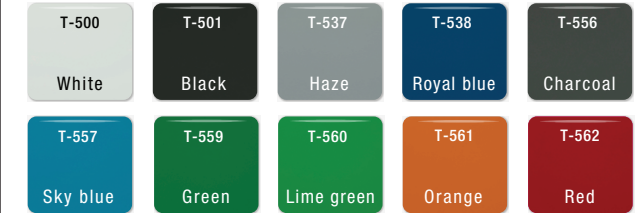
IN DETAIL



PROFIL

Quantity : _____

COLOUR OPTIONS



*others on demand

colour : _____

SPECIFICATIONS

- 6mm tempered glass
- Opaque paint on the back of the glass
- 0.7mm painted galvanized steel sheet
- 5-branch base painted black
- 9/16" radius corners

Note :

Contractor :

Architect :

Project :

Address :

DATE : _____

PAGE _____ OF _____