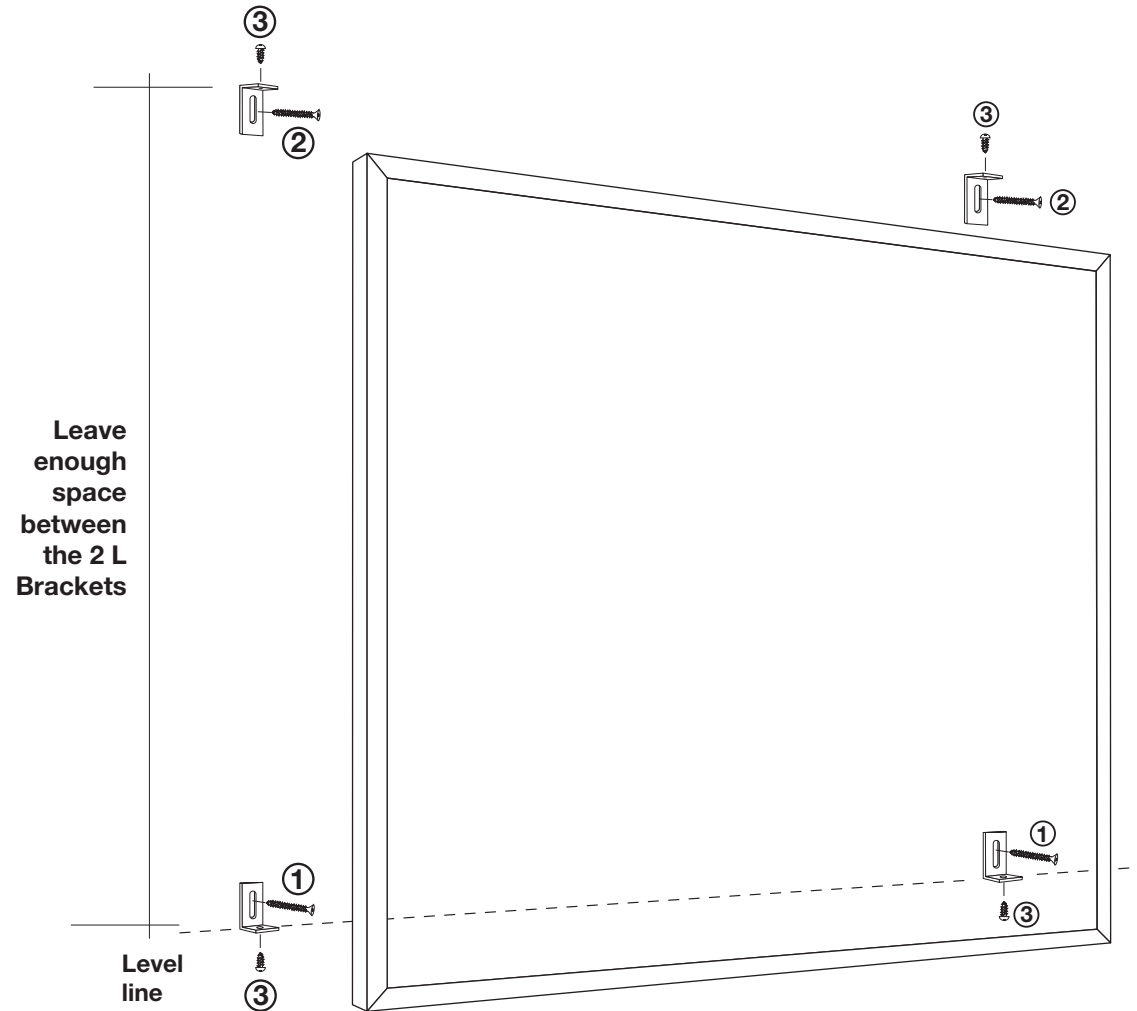
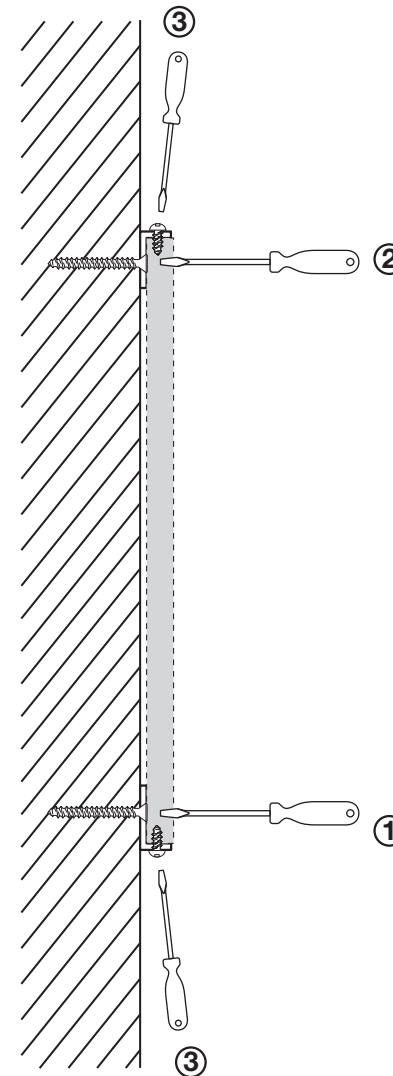


**Illustration : model 2000 - Display**



**SIDE FACE**



**SERIES**

**series 80, 85 and 2000 display boards**

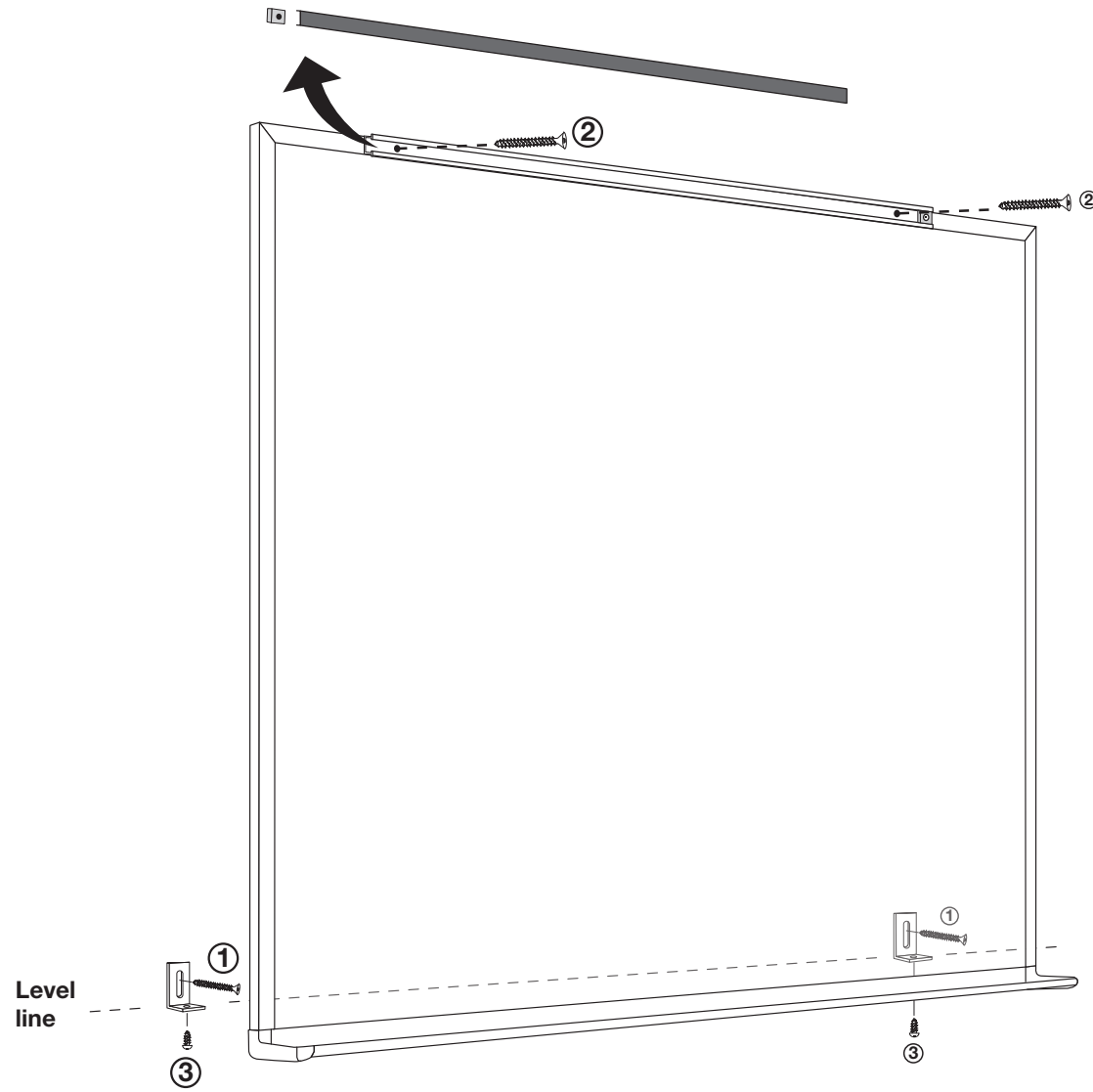
**IN ORDER TO HIDE THE ANCHORAGE ON THE BACK OF THE BOARD,**

You need to install the L bracket on the bottom of the wall (1). Use a spirit level to dispose them, this procedure will determine the location of the bottom wall. Repeat the same procedure for the top but leave enough space between the 2 L Brackets so that the board leans correctly on the wall.

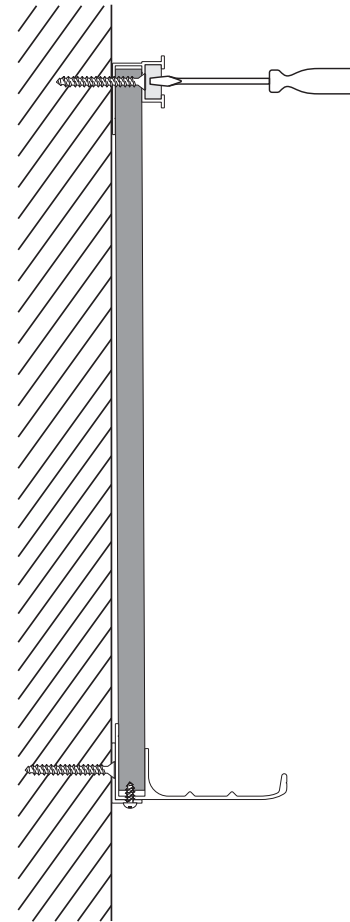
Finally install the screws in the moulding of the board.

**FOR ANY QUESTIONS REGARDING THE INSTALLATION, PLEASE DO NOT HESITATE TO CONTACT US AT 450-632-1660**

Illustration : model 2000



SIDE FACE



SERIES

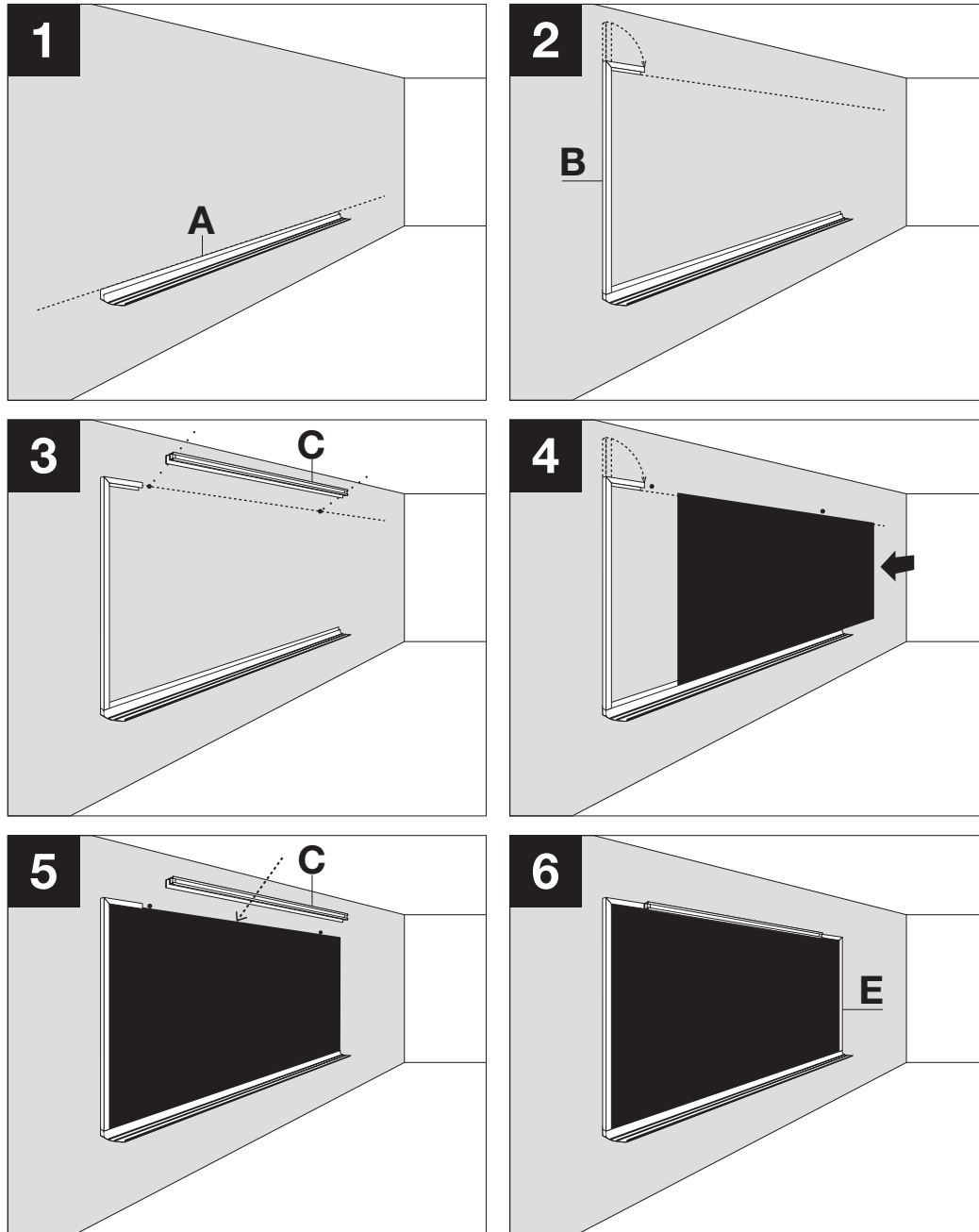
**2000 Writing**

**IN ORDER TO HIDE THE ANCHORAGE ON THE BACK OF THE BOARD,**

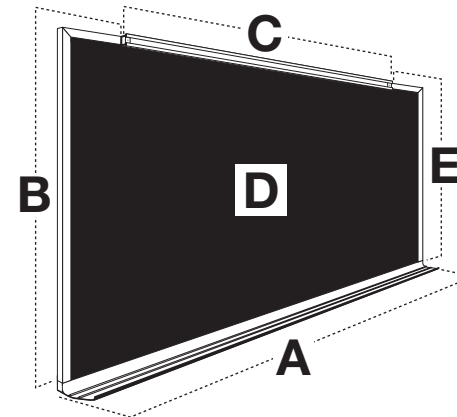
You need to install the L bracket on the bottom of the wall (1). Use a spirit level to dispose them, this procedure will determine the location of the bottom wall.

Then lay the board on the L Bracket, take off the black vinyl insert on the top moulding, screw directly in the moulding and replace the black vinyl insert.

**FOR ANY QUESTIONS REGARDING THE INSTALLATION, PLEASE DO NOT HESITATE TO CONTACT US AT 450-632-1660**



List of furnished materials, in order of installation.



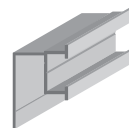
**A** Chalk rail



**B** Side moulding



**C** Top moulding



**D** Chalkboard

**E** Side moulding



NOTE: The illustrations may vary depending on the model, 2000, 3000 or 5000.

Installation procedure

**Illustration/fig 1**

- First determine the site location of the board according to its size.
- Using the perforated chalk rail (moulding A) and making sure it is perfectly levelled, mark the 2 extremities and draw a line between the 2 points.
- Using the perforations in the chalk rail (moulding A) mark the wall where screws will go.
- Drill holes using a 1/4" concrete bit. Insert plastic plugs and hammer in.
- Fasten chalk rail (moulding A)

**Illustration/fig 2**

- As in Fig. 1, step 2, mark the wall using perforations in moulding B. Using plumb line to make sure it is perfectly vertical. Do not forget to fold up the shortest section of the moulding at right angle.
- As in Fig. 1 step 4, drill holes, insert plastic plugs and fasten moulding B
- Draw a perfectly horizontal line corresponding to the bottom end of moulding B

**Illustration/fig 3**

- Temporarily install moulding C, marking the wall at perforations. Remove moulding.
- Drill holes and insert plastic plugs.

**Illustration/fig 4**

- Insert chalkboard in chalk rail A and moulding B, already in place.

**Illustration/fig 5**

- Install and fasten moulding C

**Illustration/fig 6**

- Place 3 spots of cement inside moulding E. Again, fold up shortest section at right angle to complete frame.
- Insert cork strip in moulding C and place stoppers at each end.