



CANADIAN BLACKBOARD
COMPANY LTD

30, Montée des Bouleaux
St-Constant (Québec) J5A 1B6
Tel.: (450) 632-1660
Fax: (450) 632-5449

www.cctn.com

INSTALLATION

Step 1

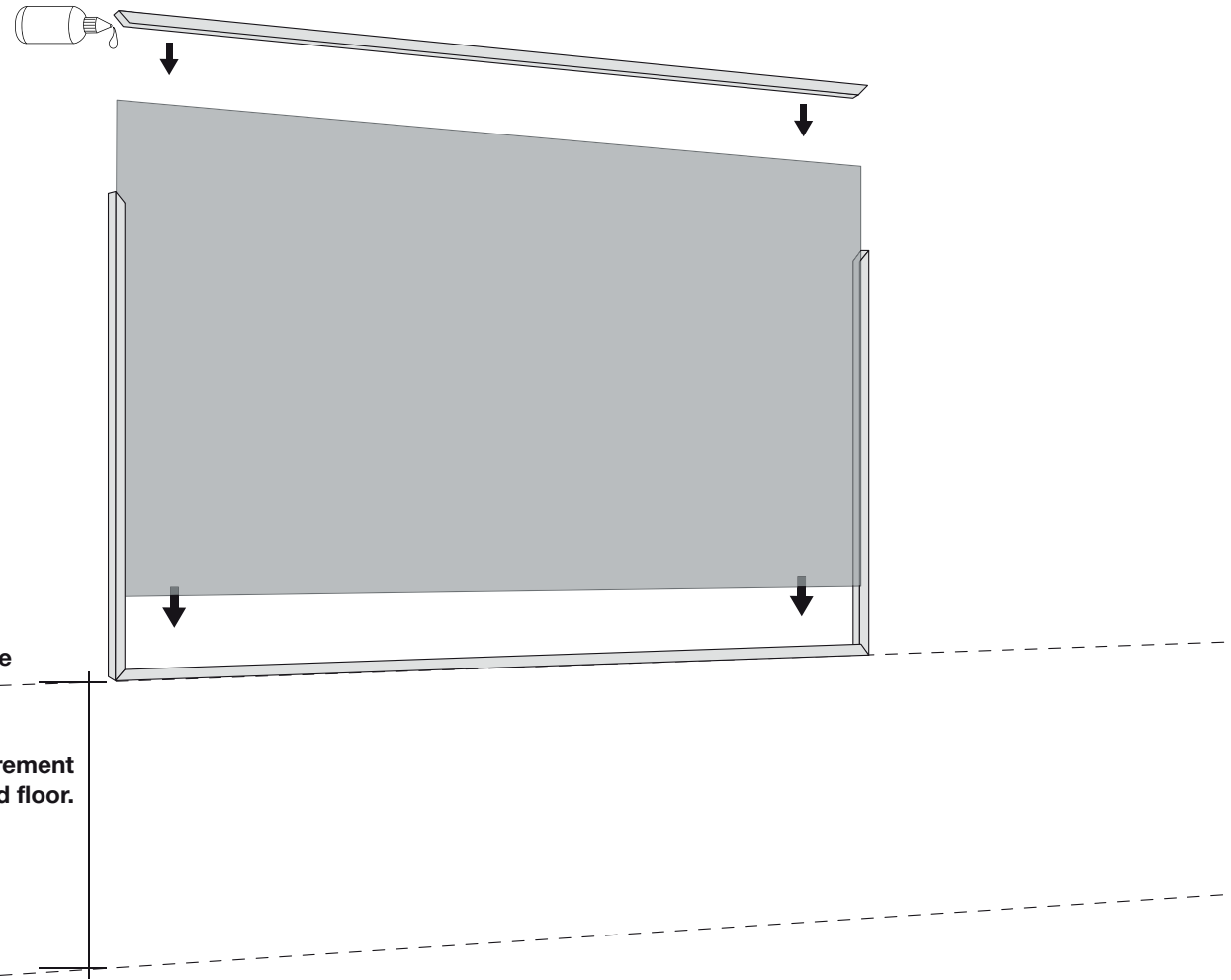
SERIES

910

INSTALL FIXED PANEL TO WALL

Start with lower and 2 side mouldings, and then slide panel in. Apply glue to inside of upper moulding and then install on panel.

WITH ANY QUESTIONS REGARDING
INSTALLATION, DO NOT HESITATE TO CONTACT
YOUR REPRESENTATIVE AT 450-632-1660



Level line

Ensure measurement
from finished floor.



CANADIAN BLACKBOARD
COMPANY LTD

30, Montée des Bouleaux
St-Constant (Québec) J5A 1B6
Tel.: (450) 632-1660
Fax: (450) 632-5449

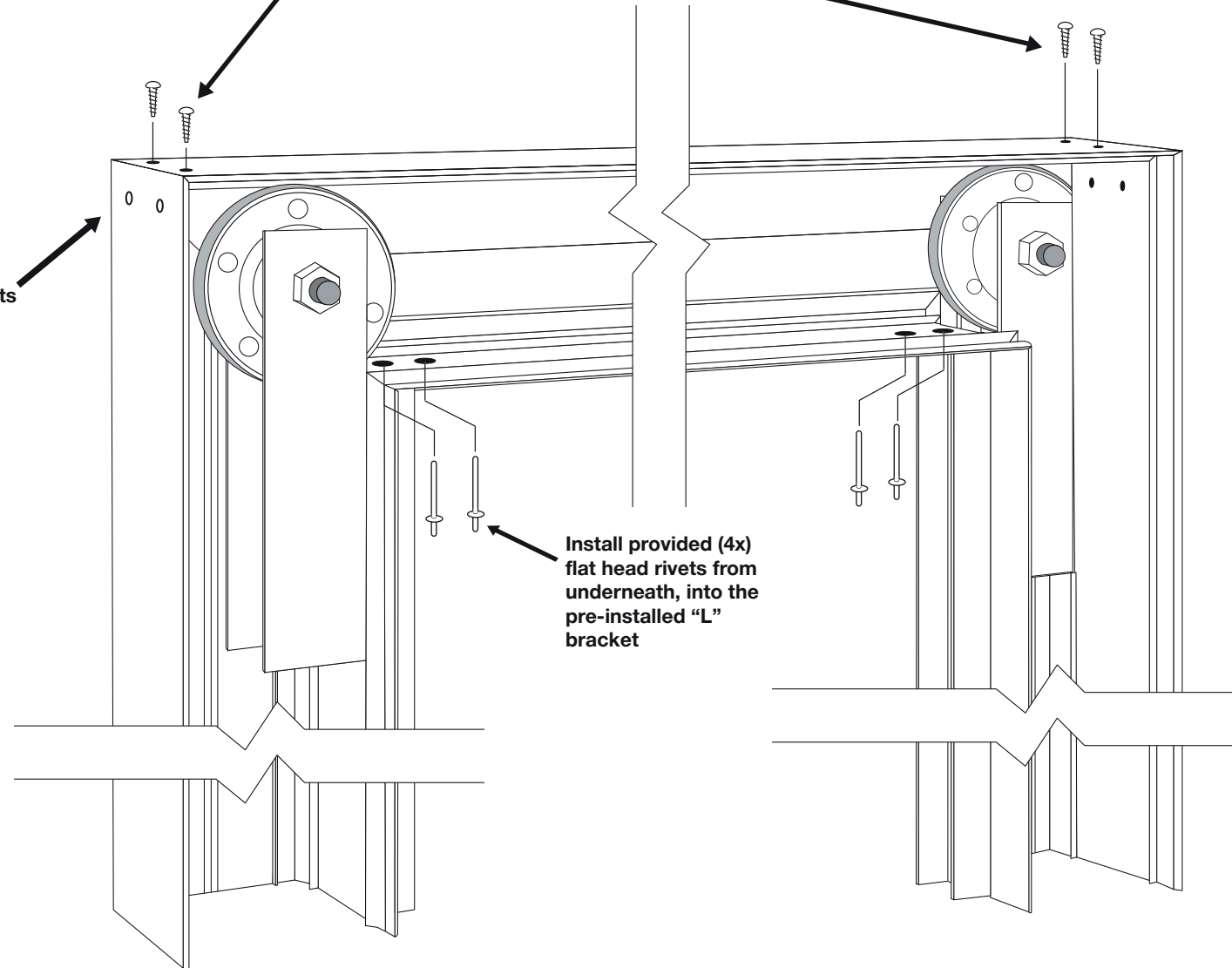
www.cctn.com

INSTALLATION

Step 2

Screw the top jamb in place using
provided (4x) round headed screws

Pre-installed rivets
on left and right
jamb



Install provided (4x)
flat head rivets from
underneath, into the
pre-installed "L"
bracket

SERIES

910

ASSEMBLE STRUCTURES

Then, on flat surface, assemble 3 moulding pieces ,
forming an inversed U shape.

- Place top jamb aligned with both side
jamb
- Screw the top jamb to pre-installed "L"
brackets
- Install flat heat rivets from underneath
the top jamb to the pre-installed "L"
bracket

REPEAT THIS STEP FOR ALL ADDITIONNAL
STRUCTURES

WITH ANY QUESTIONS REGARDING
INSTALLATION, DO NOT HESITATE TO CONTACT
YOUR REPRESENTATIVE AT 450-632-1660



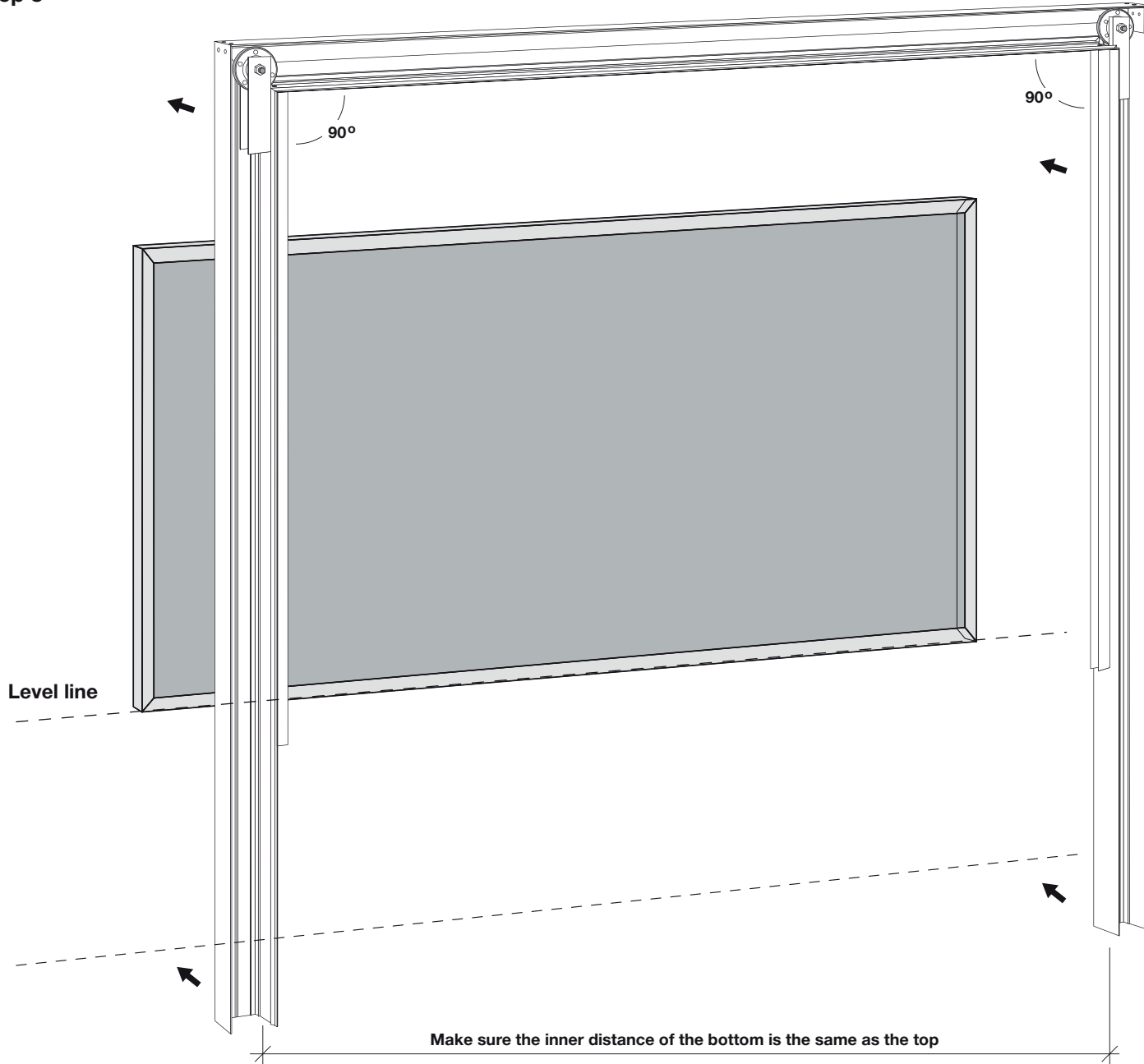
CANADIAN BLACKBOARD
COMPANY LTD

30, Montée des Bouleaux
St-Constant (Québec) J5A 1B6
Tel.: (450) 632-1660
Fax: (450) 632-5449

www.cctn.com

INSTALLATION

Step 3



SERIES

910

AFFIX STRUCTURE TO WALL

WITH ANY QUESTIONS REGARDING
INSTALLATION, DO NOT HESITATE TO CONTACT
YOUR REPRESENTATIVE AT 450-632-1660



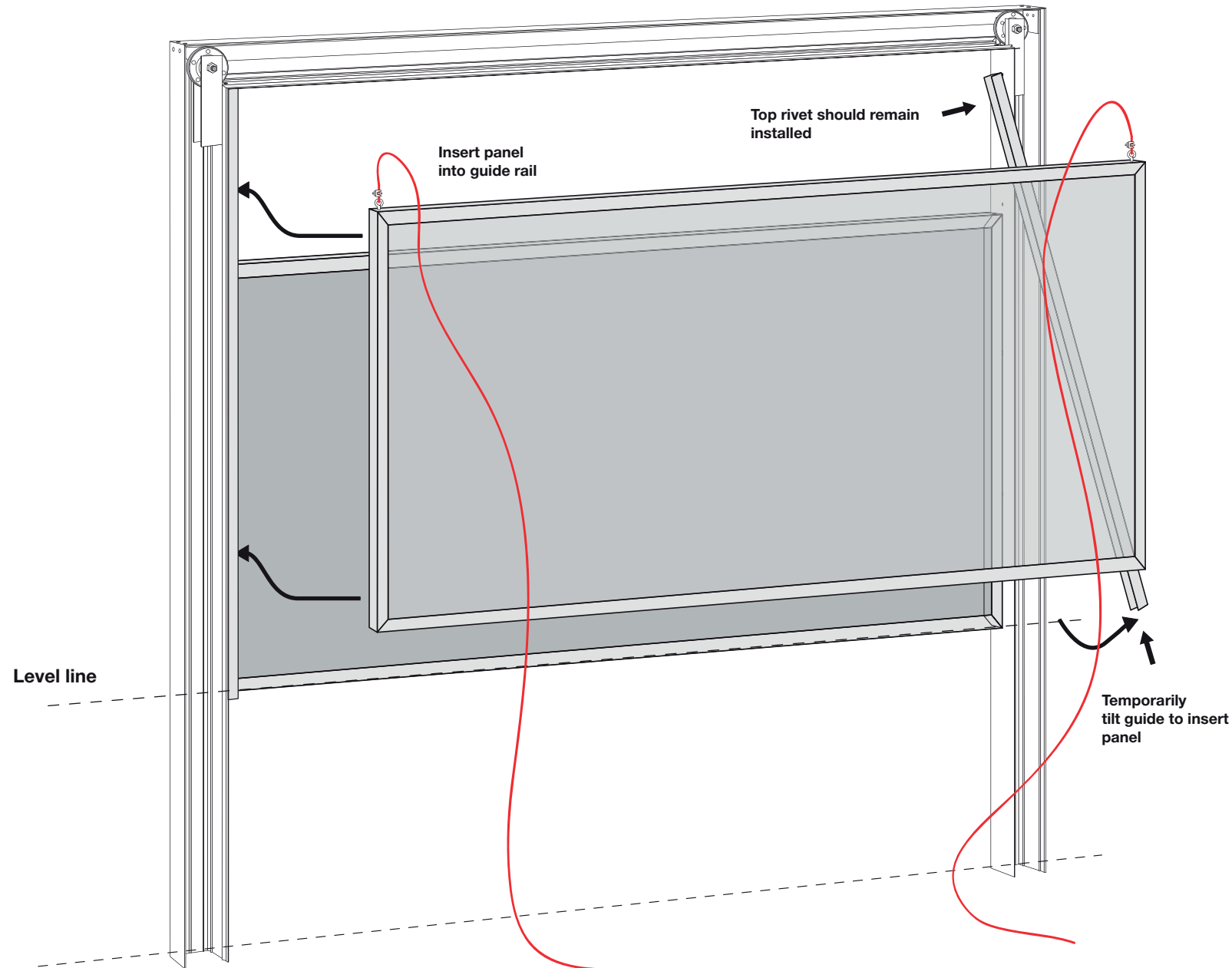
CANADIAN BLACKBOARD
COMPANY LTD

30, Montée des Bouleaux
St-Constant (Québec) J5A 1B6
Tel.: (450) 632-1660
Fax: (450) 632-5449

www.cctn.com

INSTALLATION

Step 4



SERIES

910

INSERTING THE SLIDING BOARD

Take sliding panel, wire cables towards the top. Unscrew temporary screws from right side moulding (serves as guide), top rivet should stay installed. Slide the panel from the bottom into U mouldings. Re-affix removed side guide with supplied rivets.

REPEAT THIS STEP FOR ALL ADDITIONNAL STRUCTURES

WITH ANY QUESTIONS REGARDING
INSTALLATION, DO NOT HESITATE TO CONTACT
YOUR REPRESENTATIVE AT 450-632-1660



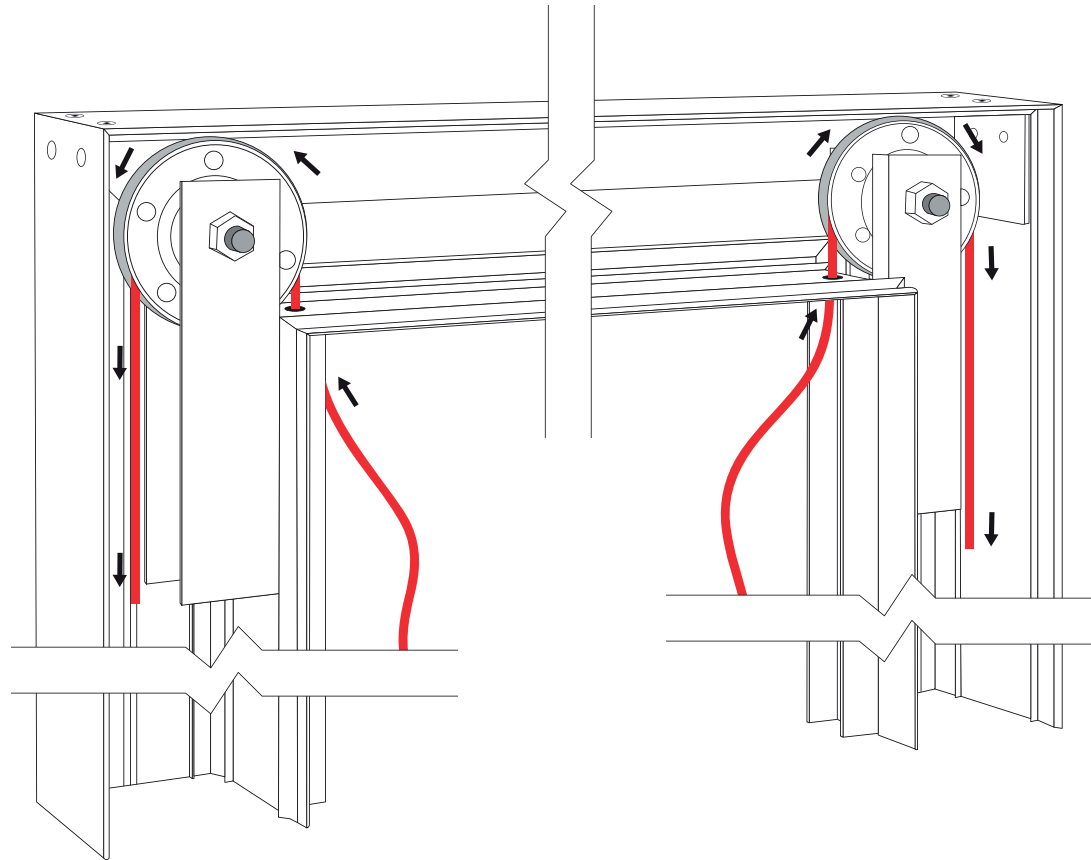
CANADIAN BLACKBOARD
COMPANY LTD

30, Montée des Bouleaux
St-Constant (Québec) J5A 1B6
Tel.: (450) 632-1660
Fax: (450) 632-5449

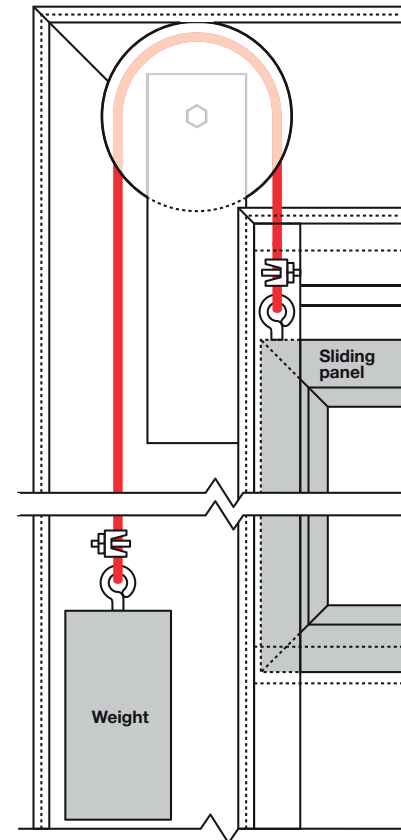
www.cctn.com

INSTALLATION

Step 5



Assembled mechanism



SERIES

910

INSTALL CABLES AND WEIGHTS

Pass cable/wires through pulleys and install to anchoring system. Ensure all works and roll smoothly.

REPEAT THIS STEP FOR ALL ADDITIONNAL STRUCTURES

WITH ANY QUESTIONS REGARDING
INSTALLATION, DO NOT HESITATE TO CONTACT
YOUR REPRESENTATIVE AT 450-632-1660



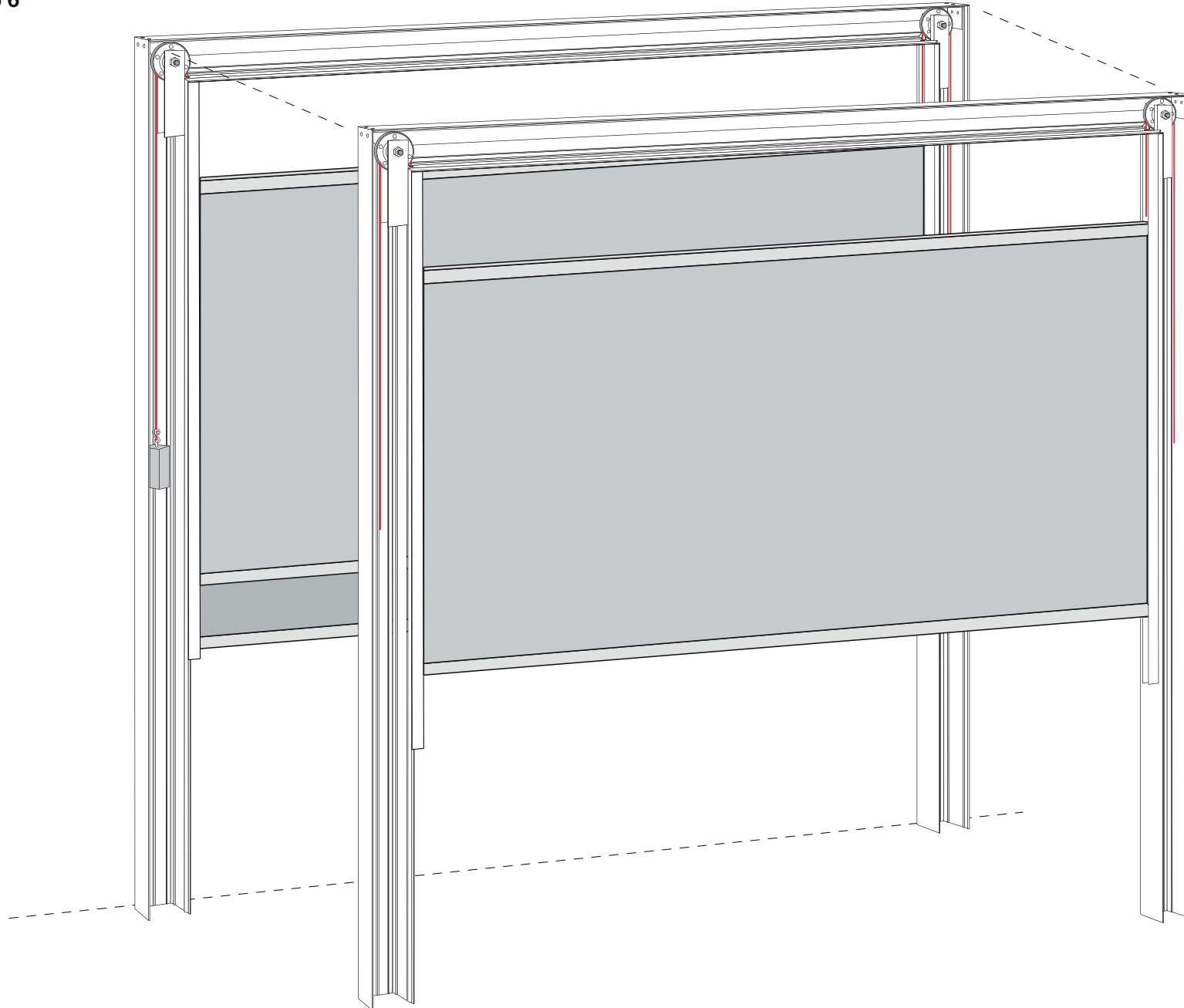
CANADIAN BLACKBOARD
COMPANY LTD

30, Montée des Bouleaux
St-Constant (Québec) J5A 1B6
Tel.: (450) 632-1660
Fax: (450) 632-5449

www.cctn.com

INSTALLATION

Step 6



SERIES

910

INSTALL ADDITIONNAL UNITS

Snap all additionnal units to the front of the previous unit. Use a rubber mallet (with reasonable force) if necessary. Be careful not to bend the aluminium frame.

REPEAT THIS STEP FOR ALL ADDITIONNAL STRUCTURES

**WITH ANY QUESTIONS REGARDING
INSTALLATION, DO NOT HESITATE TO CONTACT
YOUR REPRESENTATIVE AT 450-632-1660**



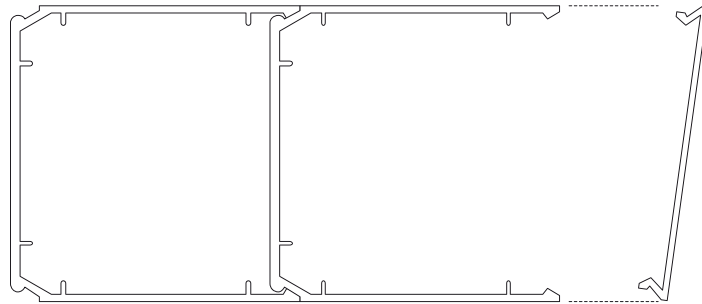
CANADIAN BLACKBOARD
COMPANY LTD

30, Montée des Bouleaux
St-Constant (Québec) J5A 1B6
Tel.: (450) 632-1660
Fax: (450) 632-5449

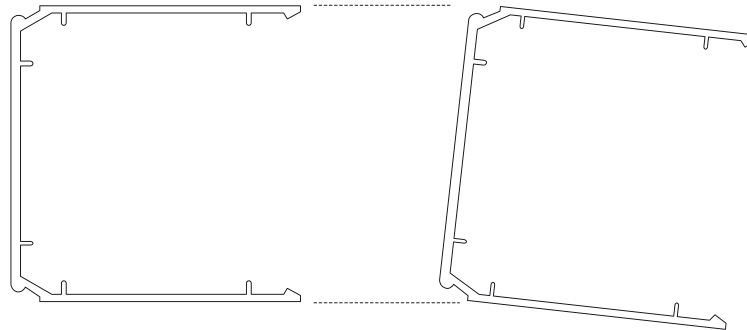
www.cctn.com

INSTALLATION

Preperation Step : Remove front capping



Preperation Step : Separate assembled units



SERIES

910

SEPARATE FRAME UNITS

Frames are shipped pre-assembled. It is required to separate both units before installation.

- Remove front capping from all jambs
- Separate assembled units by unsnapping them from each other

AVOID USING METAL TOOLS TO PREVENT DAMAGE

WITH ANY QUESTIONS REGARDING
INSTALLATION, DO NOT HESITATE TO CONTACT
YOUR REPRESENTATIVE AT 450-632-1660



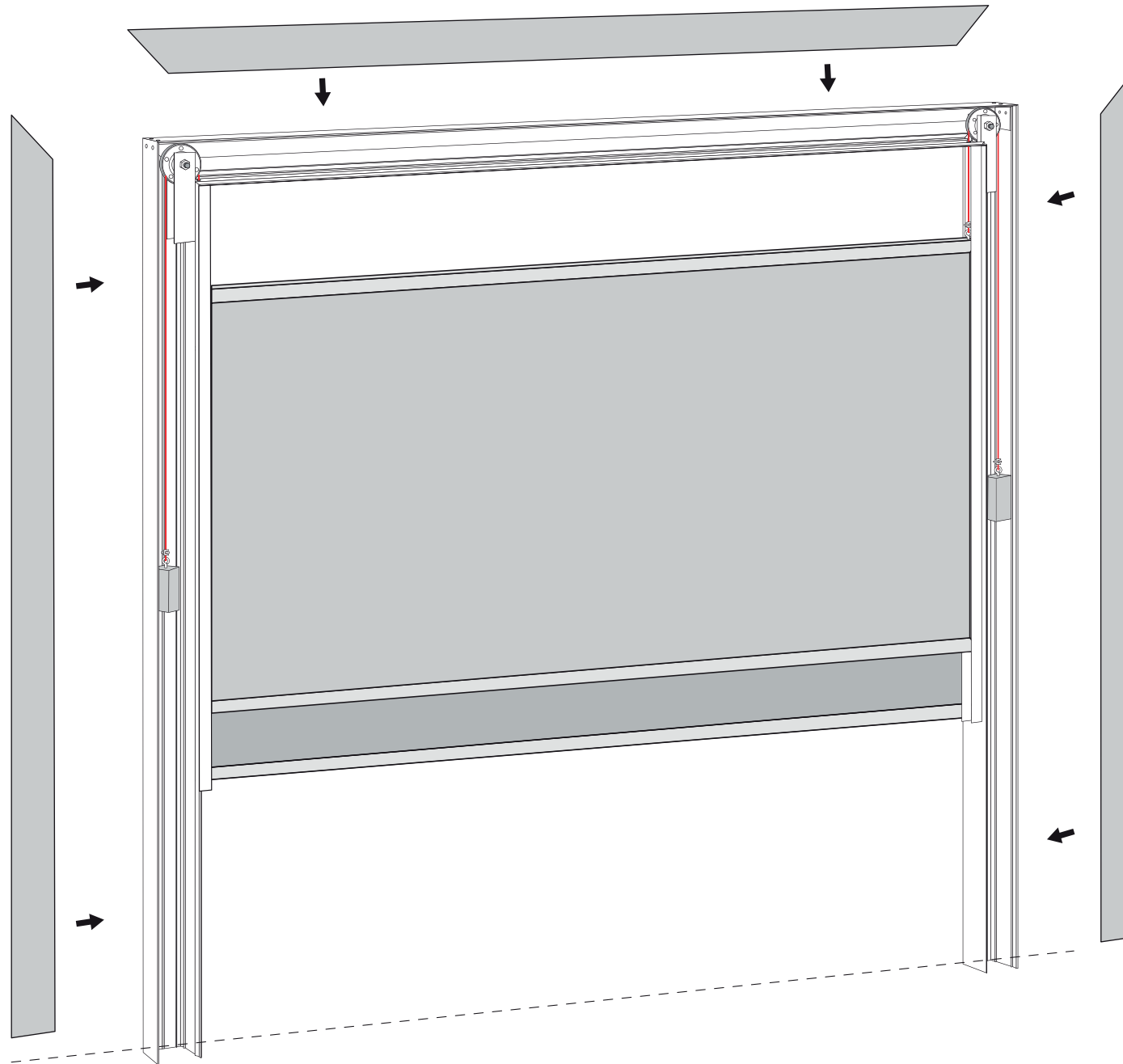
CANADIAN BLACKBOARD
COMPANY LTD

30, Montée des Bouleaux
St-Constant (Québec) J5A 1B6
Tel.: (450) 632-1660
Fax: (450) 632-5449

www.cctn.com

INSTALLATION

Step 7



SERIES

910

INSTALL COVERS

Install covers over the mouldings. If covers are too easily removed, use a few rivets to secure.

WITH ANY QUESTIONS REGARDING
INSTALLATION, DO NOT HESITATE TO CONTACT
YOUR REPRESENTATIVE AT 450-632-1660