

Installation procedure

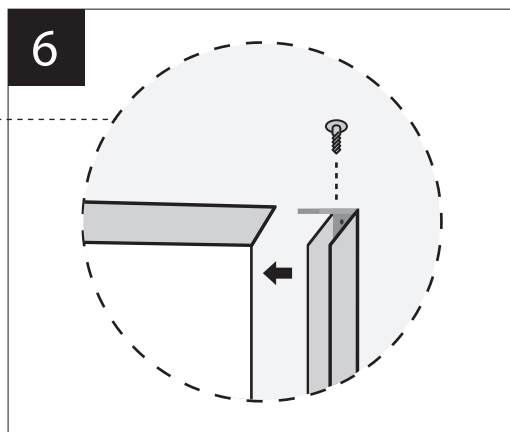
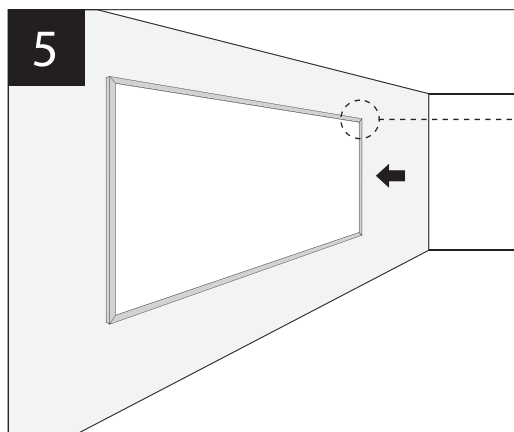
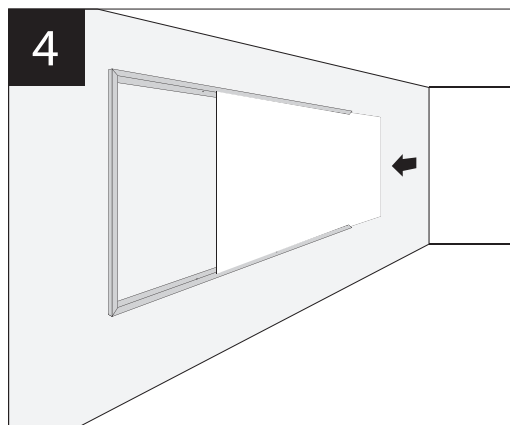
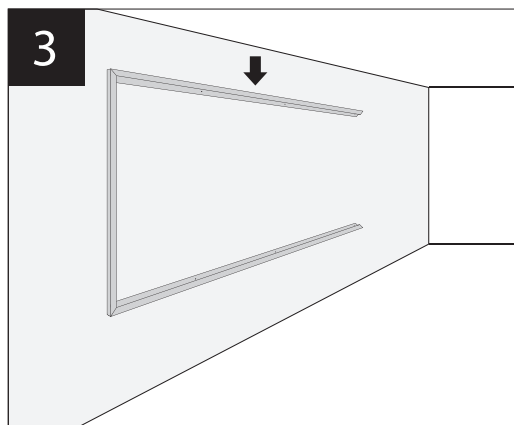
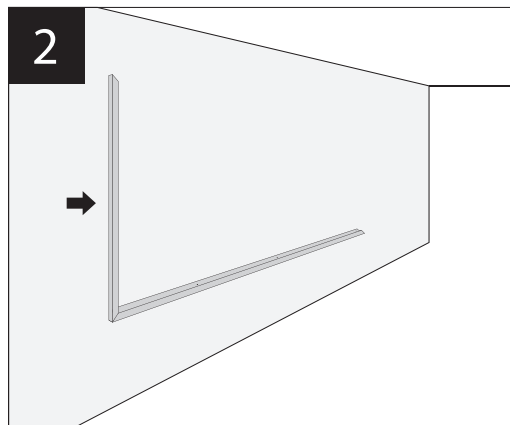
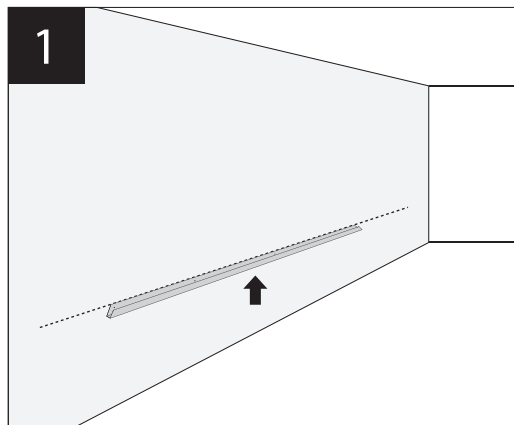


Figure 1

- Once the general location determined, mark points at the ends of the lower molding.
- Draw a line that is leveled between the 2 points.
- Using the pre-perforated molding as a guide, draw benchmarks on the wall.
- Using a concrete drill bit, drill holes and insert the plastic anchors.
- Screw the molding into place.

Figure 2

- Using the pre-perforated left molding as a guide and insuring a vertical position, draw benchmarks on the wall.
- Drill holes and screw in place the left molding.

Figure 3

- Using the pre-perforated top molding as a guide and insuring parallel position, draw benchmarks on the wall.
- Drill holes and screw the top molding in place.

Figure 4

- Slide the board into the mounted moldings.

Figure 5

- Using commercial adhesive, glue the right molding into place.

Figure 6

- Once the molding to the right has been fixed, screw in the square bracket to the top molding.