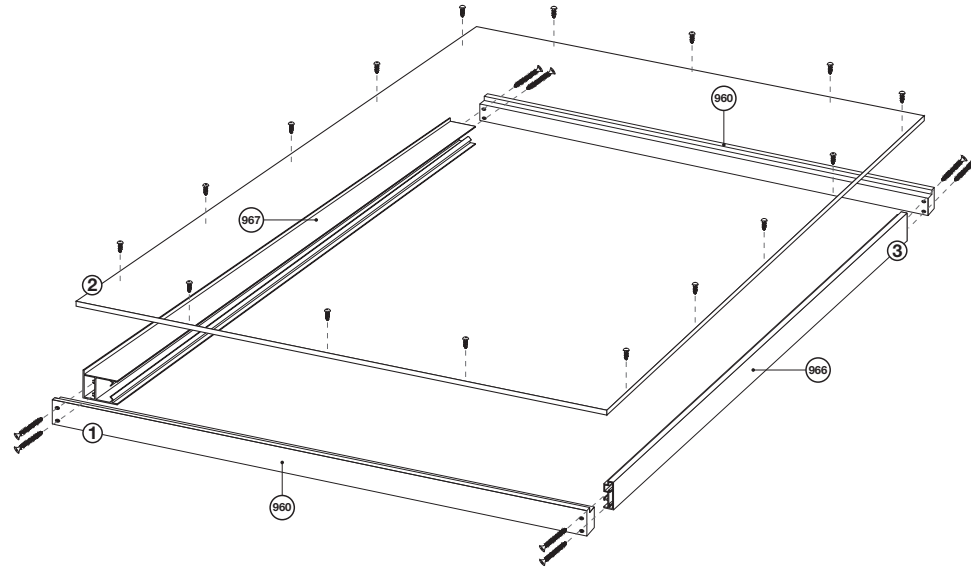


ASSEMBLY



ASSEMBLY

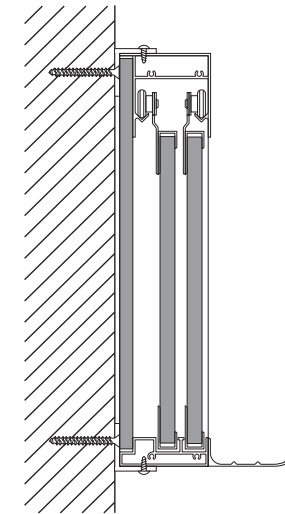
- ① Assemble the frame face down (Have a cardboard or a protection on the floor before you start).
- ② Screw the back surface on (still face down).
- ③ Flip the board on the floor and attach the pencil tray.

Then move on to the installation.

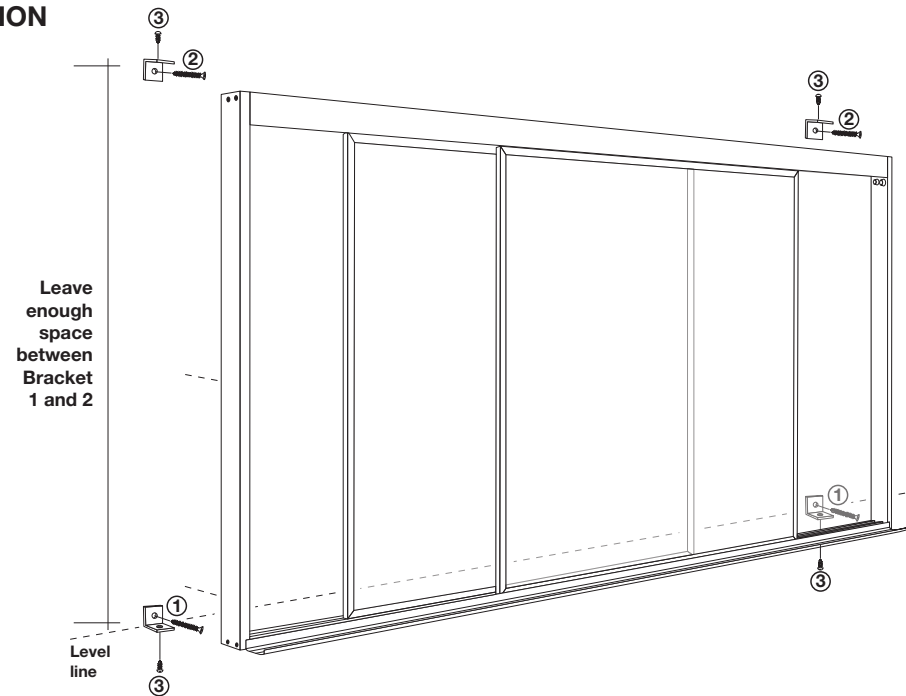
SERIES

950 (double sliding board)

SIDE FACE



INSTALLATION



INSTALLATION

- ① Install the bottom L brackets on the wall. Use a spirit level to dispose them, this procedure will determine the location of the bottom of the board.
- ② Install the top L brackets but leave enough space between the Bracket 1 and 2 so that the board leans correctly on the wall.
- ③ Install the small screws in the moulding of the board.

Finally, install the sliding boards.

Contractor:

Architect:

Project:

Adress:

**FOR ANY QUESTIONS REGARDING THE
INSTALLATION, PLEASE DO NOT HESITATE
TO CONTACT US AT 450-632-1660**