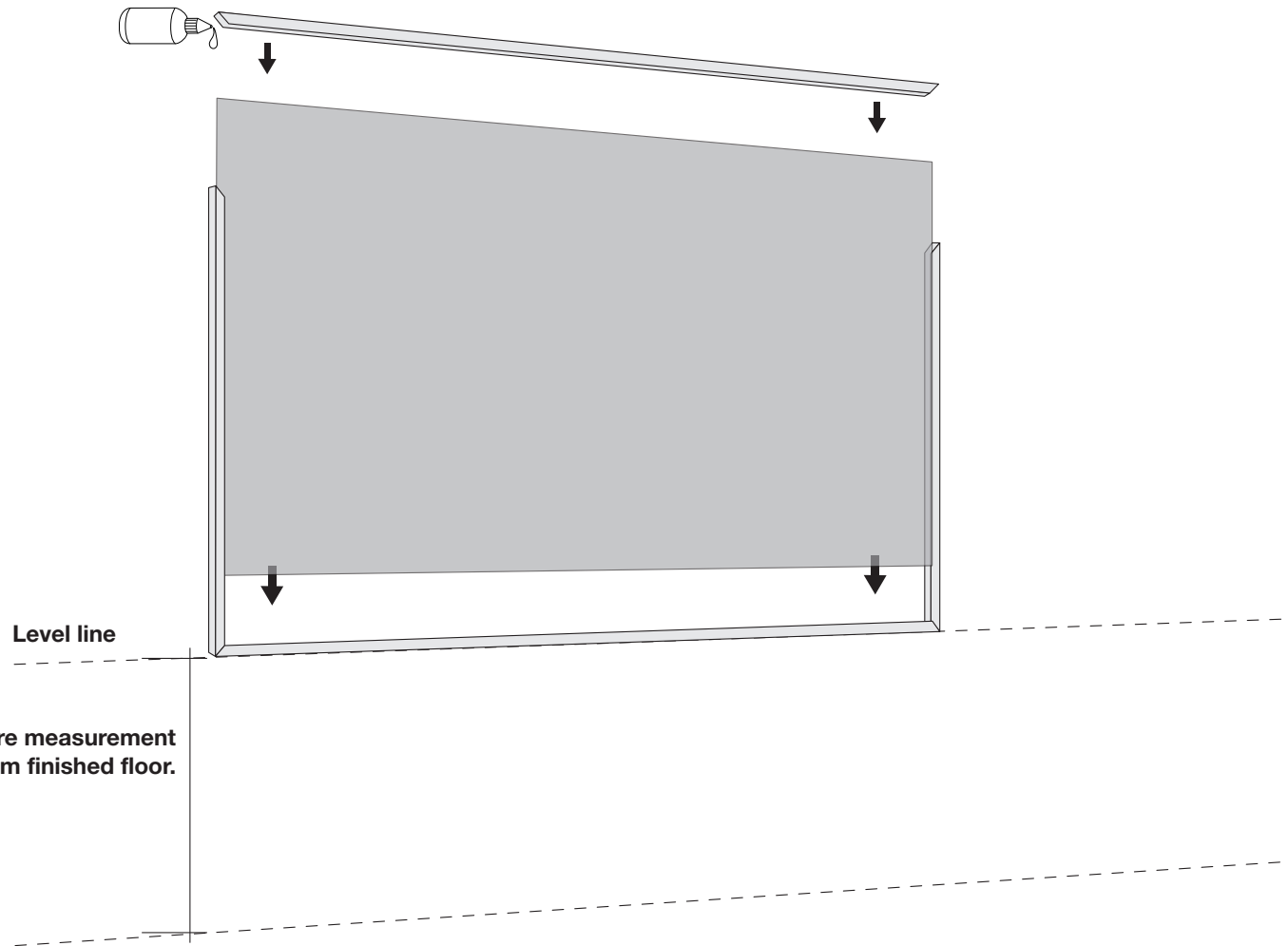


**Step 1**



**SERIES**

**900 and 910**

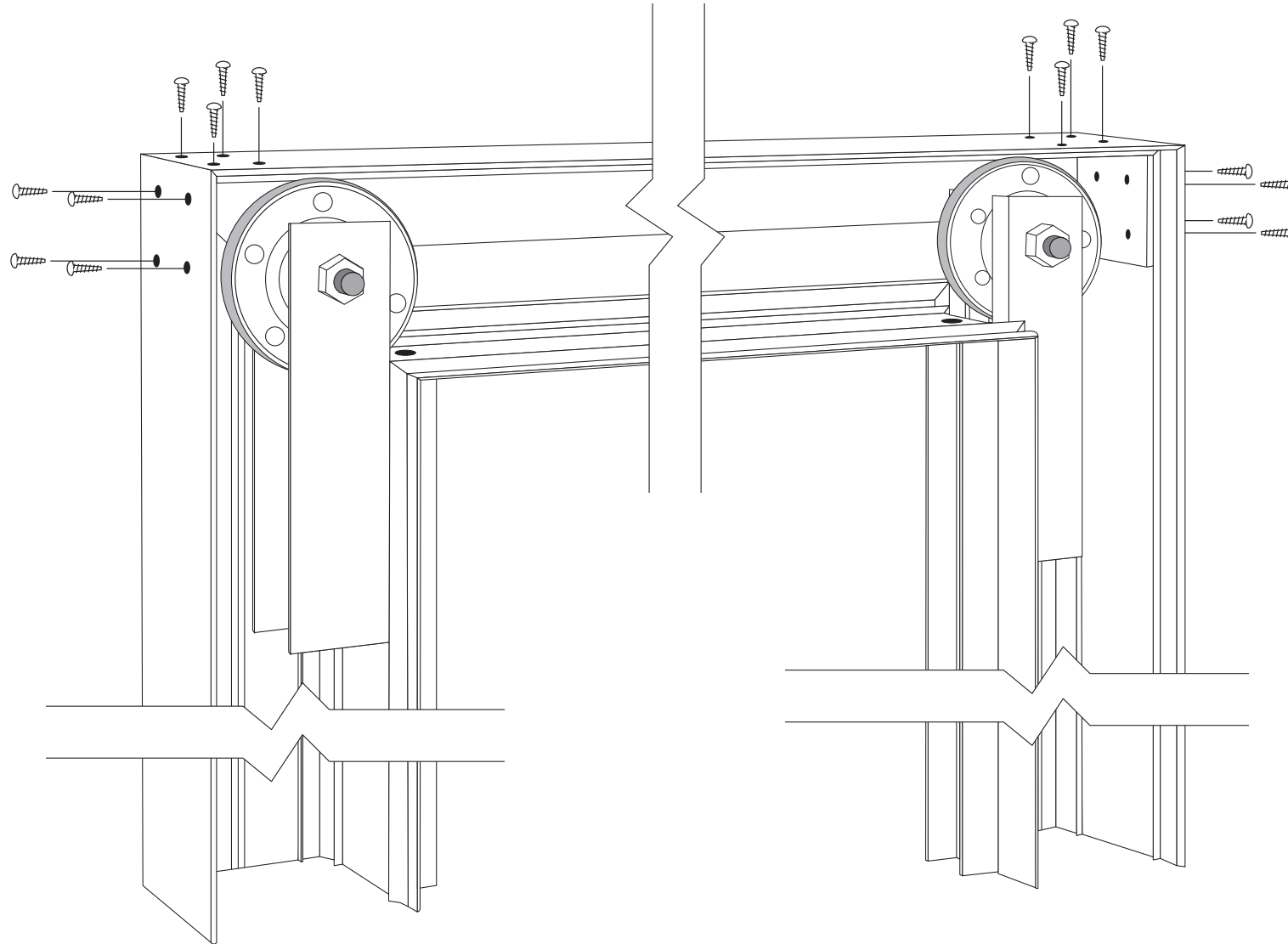
**INSTALL FIXED PANEL TO WALL**

Start with lower and 2 side mouldings, and then slide panel in. Apply glue to inside of upper moulding and then install on panel.

\* For serie 910 repeat step 1 to 6.

WITH ANY QUESTIONS REGARDING  
INSTALLATION, DO NOT HESITATE TO CONTACT  
YOUR REPRESENTATIVE AT 450-632-1660

**Step 2**



**SERIES**

**900 and 910**

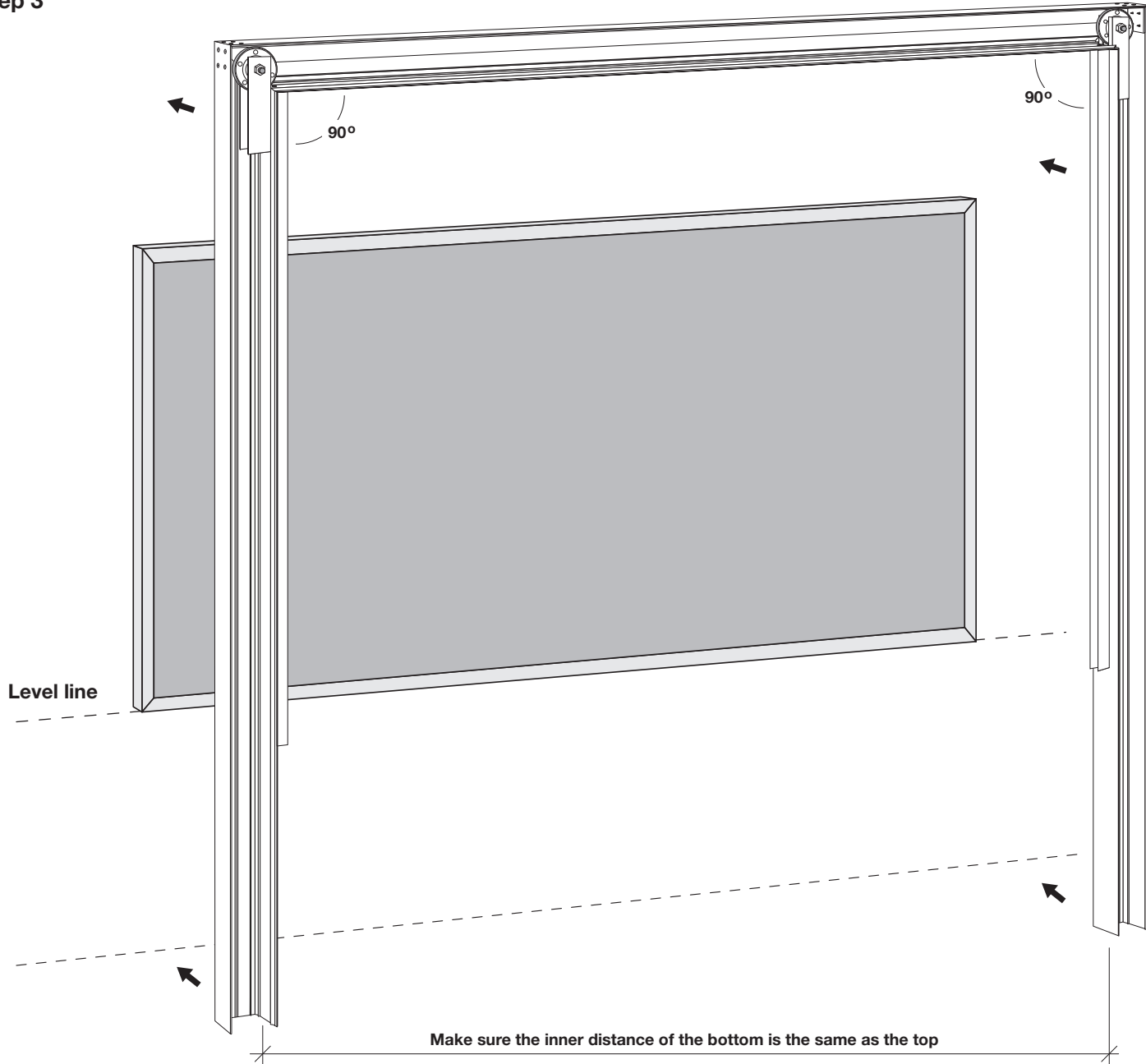
**ASSEMBLE STRUCTURE**

Then, on flat surface, assemble 3 moulding pieces ,  
forming an inversed U shape

\* For serie 910 repeat step 1 to 6.

**WITH ANY QUESTIONS REGARDING  
INSTALLATION, DO NOT HESITATE TO CONTACT  
YOUR REPRESENTATIVE AT 450-632-1660**

**Step 3**



**SERIES**

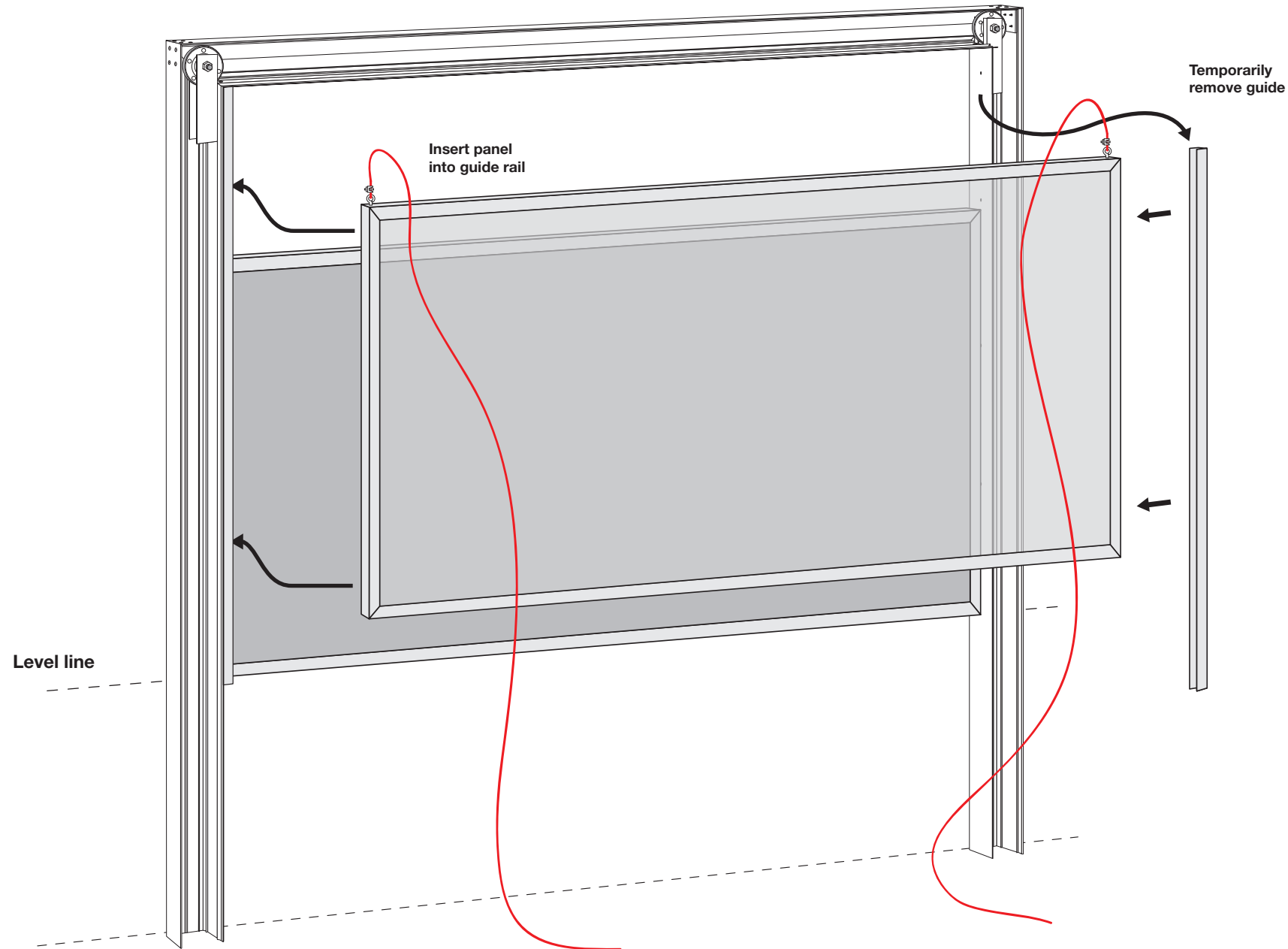
**900 and 910**

**AFFIX STRUCTURE TO WALL**

\* For serie 910 repeat step 1 to 6.

**WITH ANY QUESTIONS REGARDING  
INSTALLATION, DO NOT HESITATE TO CONTACT  
YOUR REPRESENTATIVE AT 450-632-1660**

**Step 4**



**SERIES**

**900 and 910**

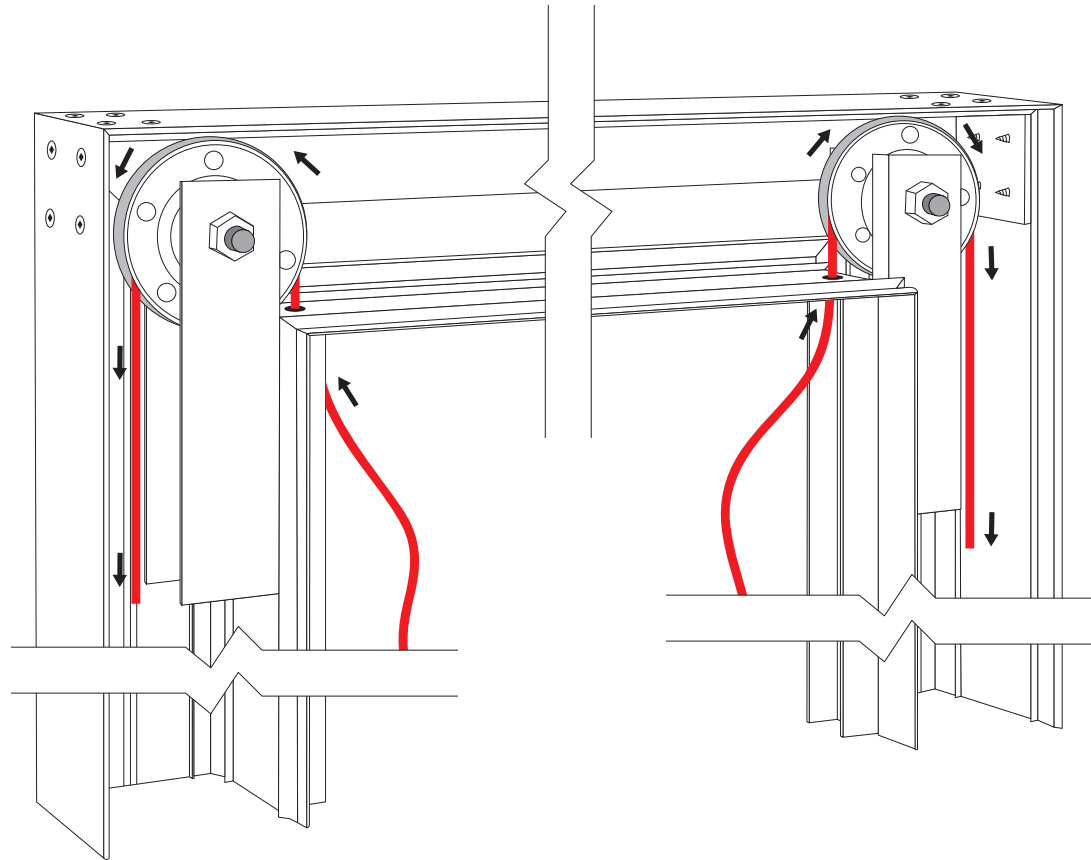
**INSERTING THE SLIDING BOARD**

Take sliding panel, wire cables towards the top. Unscrew one side moulding ( serves as guide ) and insert panel into U mouldings. Re-affix removed side guide.

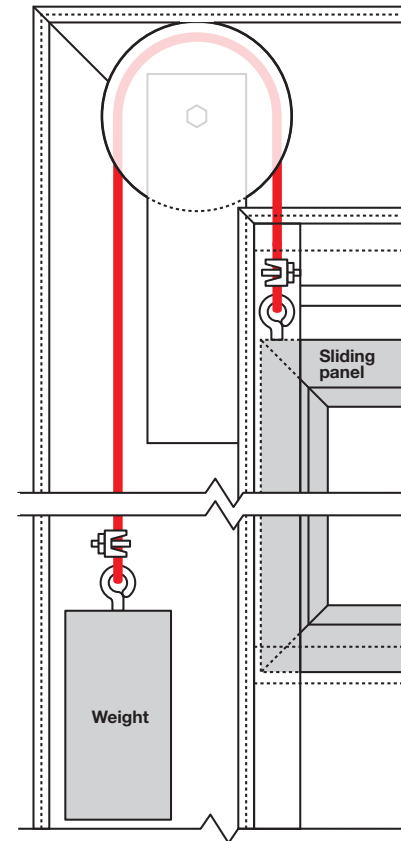
\* For serie 910 repeat step 1 to 6.

**WITH ANY QUESTIONS REGARDING  
INSTALLATION, DO NOT HESITATE TO CONTACT  
YOUR REPRESENTATIVE AT 450-632-1660**

**Step 5**



**Assembled mechanism**



**SERIES**

**900 and 910**

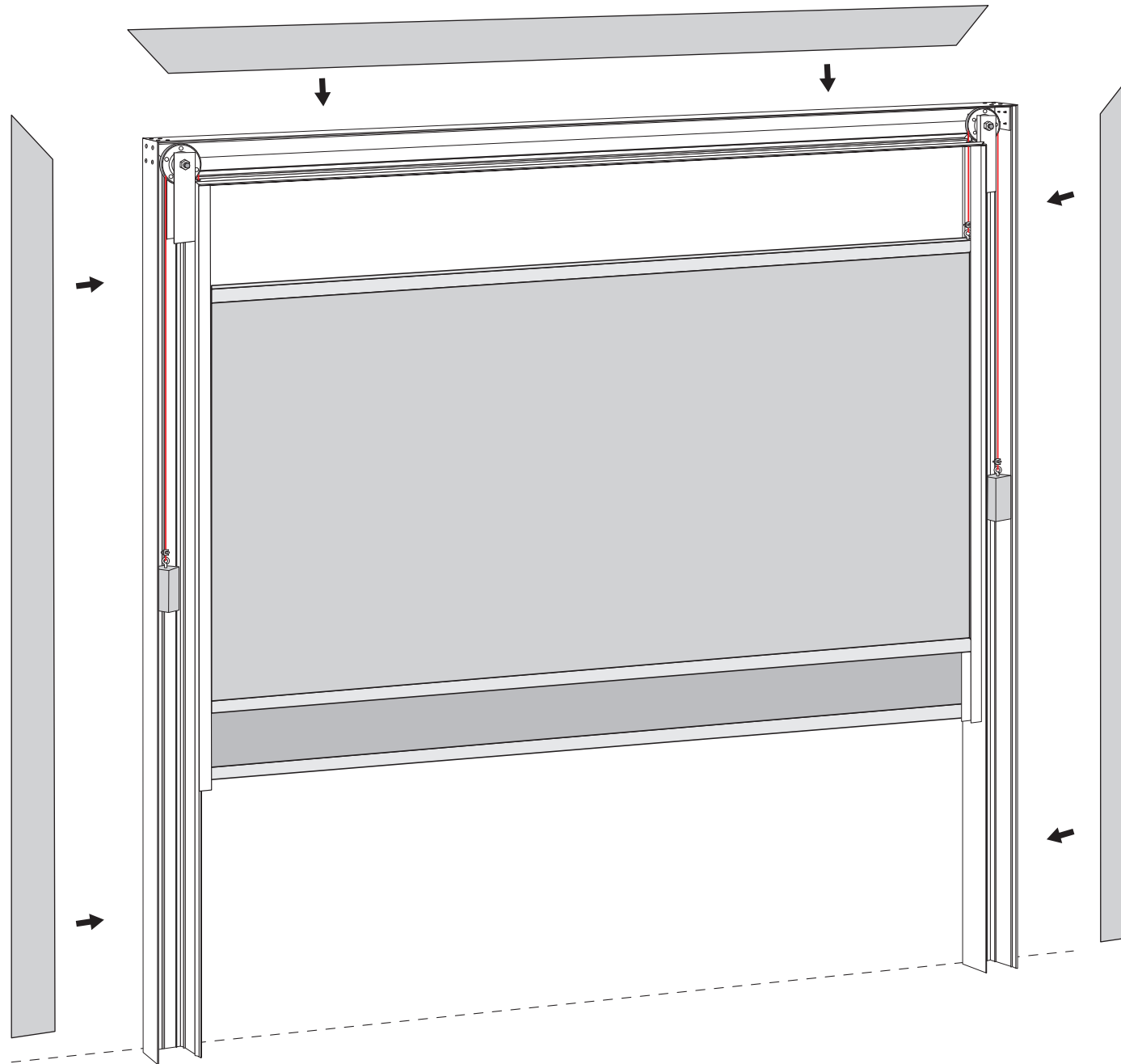
**INSTALL CABLES AND WEIGHTS**

Pass cable/wires through pulleys and install to anchoring system. Ensure all works and roll smoothly.

\* For serie 910 repeat step 1 to 6.

WITH ANY QUESTIONS REGARDING  
INSTALLATION, DO NOT HESITATE TO CONTACT  
YOUR REPRESENTATIVE AT 450-632-1660

**Step 6**



**SERIES**

**900 and 910**

**INSTALL COVERS**

Install covers over mouldings. If covers are too easily removed, use a few rivets to secure.

\* For serie 910 repeat step 1 to 6.

WITH ANY QUESTIONS REGARDING  
INSTALLATION, DO NOT HESITATE TO CONTACT  
YOUR REPRESENTATIVE AT 450-632-1660