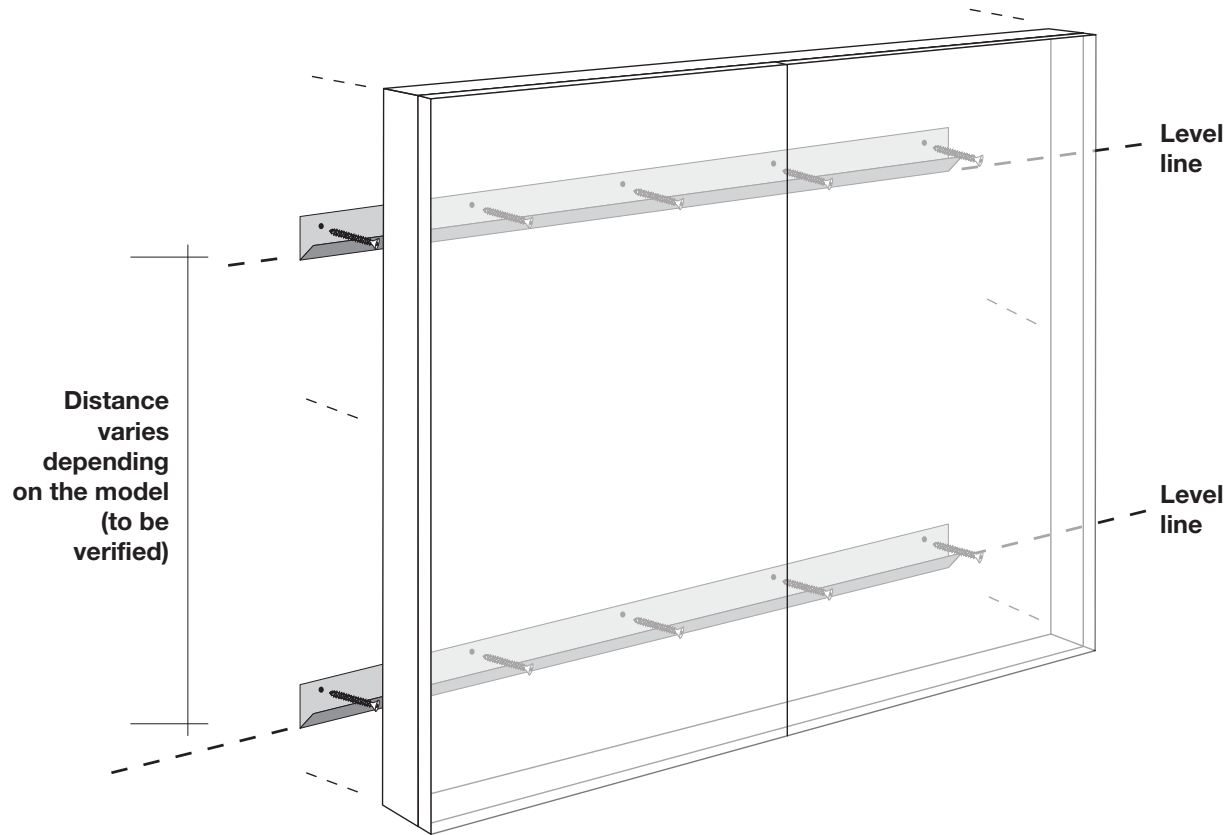
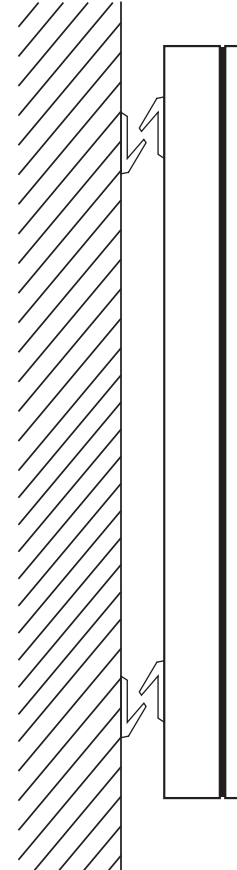


Illustration : model 713



SIDE FACE



SERIES

**712, 713 and 716 to 718
with «Z-BAR»**

**IN ORDER TO HIDE THE ANCHORAGE
ON THE BACK OF THE BOARD,**

You need to determine the height you want.
Install the 2 "V" mouldings on the wall

Verify the distance between the 2 mouldings and
then dispose the board on the moulding.

**FOR ANY QUESTIONS REGARDING THE
INSTALLATION, PLEASE DO NOT HESITATE
TO CONTACT US AT 450-632-1660**