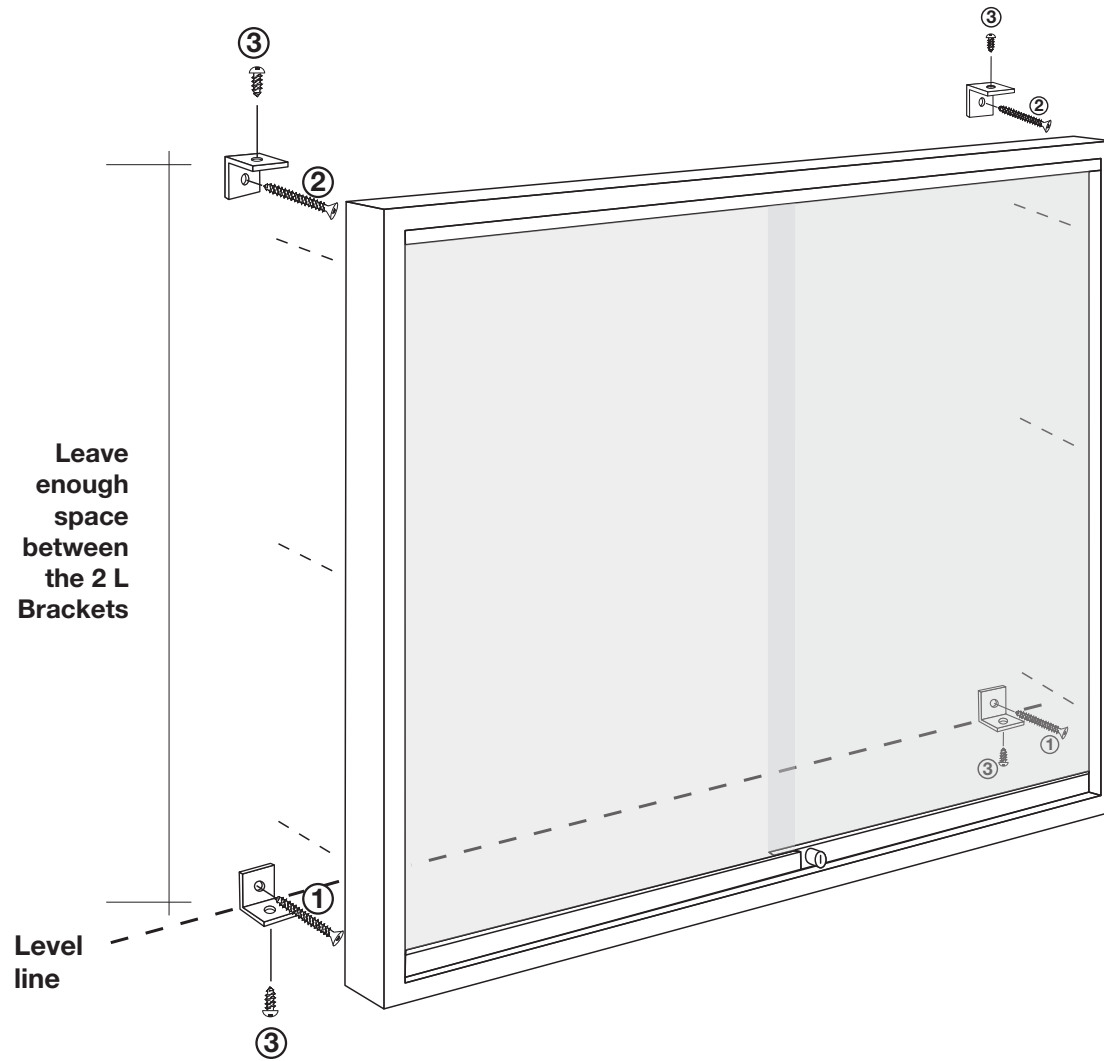
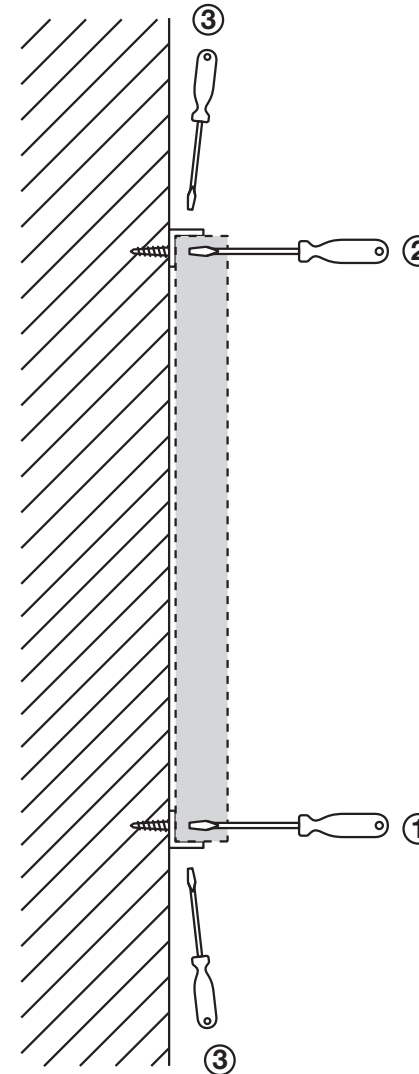


Illustration : model 670 aluminum



SIDE FACE



SERIES

**670**

**IN ORDER TO HIDE THE ANCHORAGE ON THE BACK OF THE BOARD,**

You need to install the L bracket on the bottom of the wall (1). Use a spirit level to dispose them, this procedure will determine the location of the bottom wall. Repeat the same procedure for the top but leave enough space between the 2 L Brackets so that the board leans correctly on the wall.

Finally install the screws in the moulding of the board.

**FOR ANY QUESTIONS REGARDING THE INSTALLATION, PLEASE DO NOT HESITATE TO CONTACT US AT 450-632-1660**