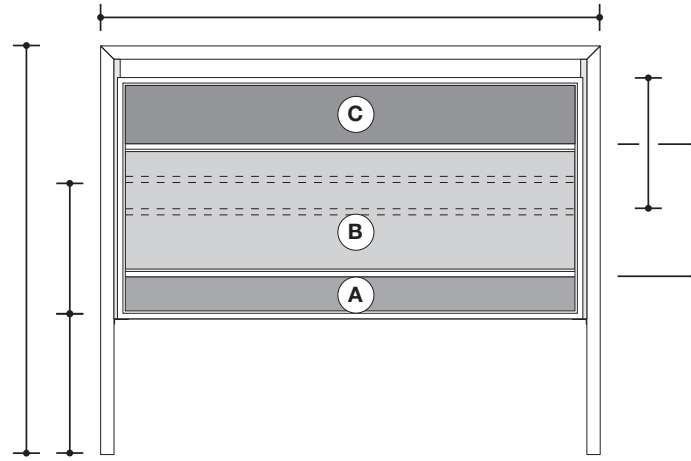


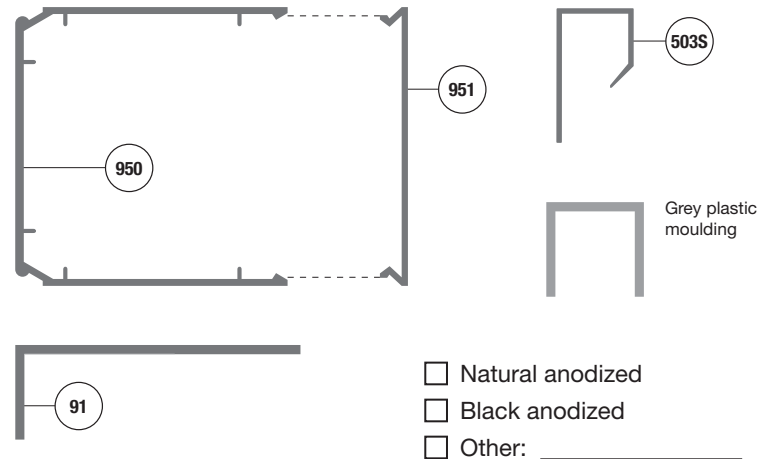
**Dimensions**



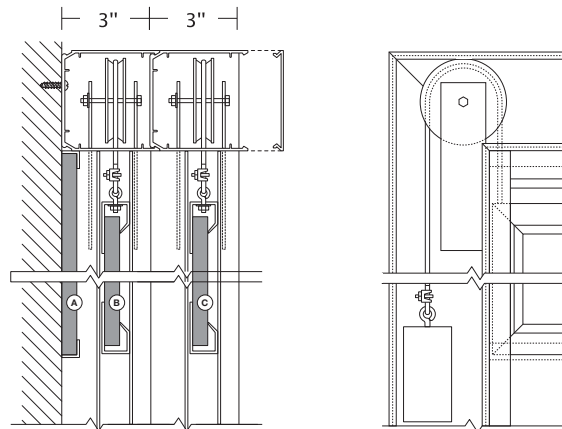
Total Height: \_\_\_\_\_ Total Width: \_\_\_\_\_  
 (A) Height: \_\_\_\_\_ (B) Height: \_\_\_\_\_ (C) Height: \_\_\_\_\_

**Location:**

**Moulding**



**Mechanism**



**910**

QUANTITY: \_\_\_\_\_

**Writing surface (A)**

- Lauzonite  white  green  black  grey  
 Laminite  white  grey  black  
 Porcelain  white  green  black

**Writing surface (B)**

- Lauzonite  white  green  black  grey  
 Laminite  white  grey  black  
 Porcelain  white  green  black

**Writing surface (C)**

- Lauzonite  white  green  black  grey  
 Laminite  white  grey  black  
 Porcelain  white  green  black

**Notes:**

**Contractor:**

**Architect:**

**Project:**

**Address:**