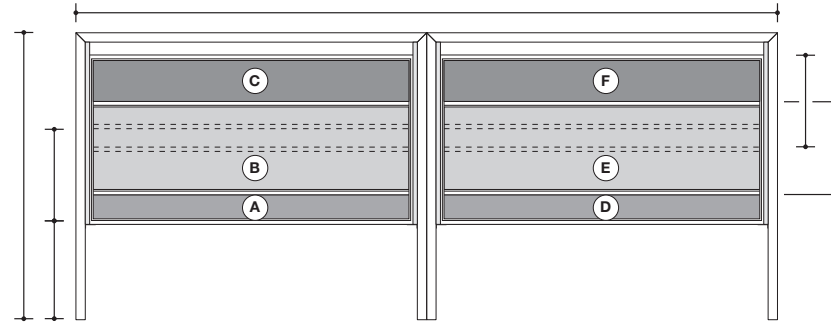


Dimensions



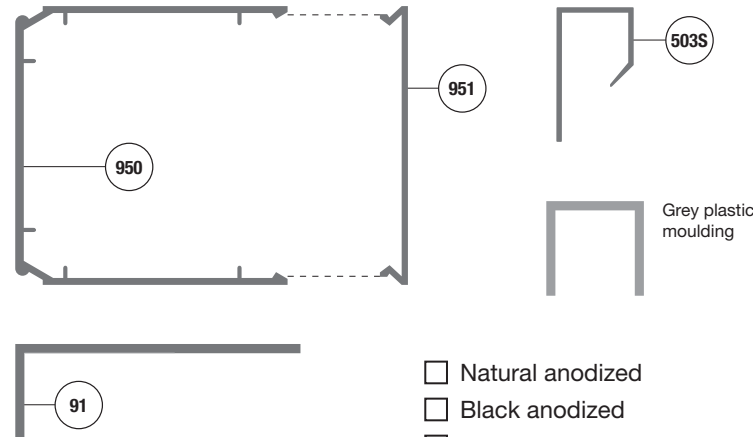
Total Height: _____ Total Width: _____

A Height: _____ **B** Height: _____ **C** Height: _____

D Height: _____ **E** Height: _____ **F** Height: _____

Location:

Moulding



- Natural anodized
- Black anodized
- Other: _____

910 double

QUANTITY: _____

Writing surface: A

- Lauzonite white green black grey
- Laminite white grey black
- Porcelain white green black

Writing surface: B

- Lauzonite white green black grey
- Laminite white grey black
- Porcelain white green black

Writing surface: C

- Lauzonite white green black grey
- Laminite white grey black
- Porcelain white green black

Writing surface: D

- Lauzonite white green black grey
- Laminite white grey black
- Porcelain white green black

Writing surface: E

- Lauzonite white green black grey
- Laminite white grey black
- Porcelain white green black

Writing surface: F

- Lauzonite white green black grey
- Laminite white grey black
- Porcelain white green black

Contractor:

Architect:

Project:

Address:

Mechanism

