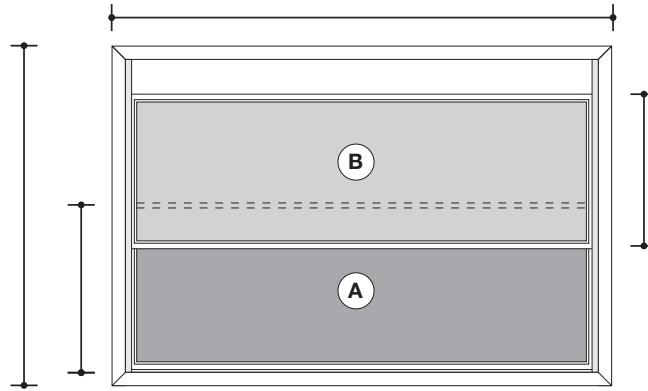


Dimensions



Total Height: _____ Total Width: _____

A Height: _____ **B** Height: _____

900

QUANTITY: _____

Writing surface A

- Lauzonite white green black grey
 Laminite white grey black
 Porcelain white green black

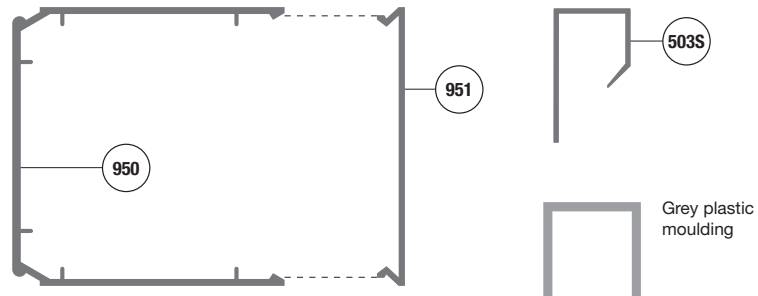
Writing surface B

- Lauzonite white green black grey
 Laminite white grey black
 Porcelain white green black

Location:

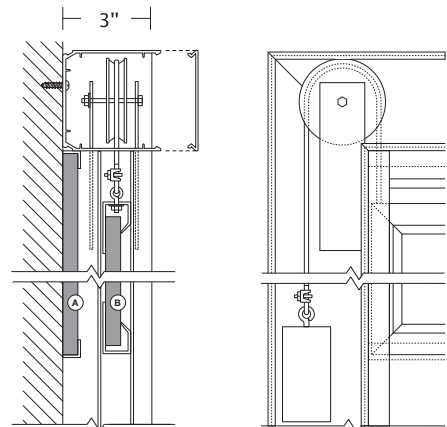
Notes:

Moulding



- Natural anodized
 Black anodized
 Other: _____

Mechanism



Contractor:

Architect:

Project:

Address: