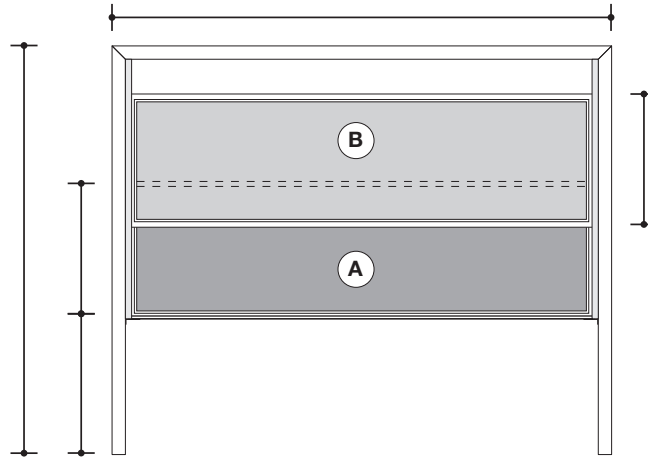


Dimensions



Total Height: _____ Total Width: _____
 (A) Height: _____ (B) Height: _____

900

QUANTITY: _____

Writing surface (A)

- Lauzonite white green black grey
- Laminite white grey black
- Porcelain white green black

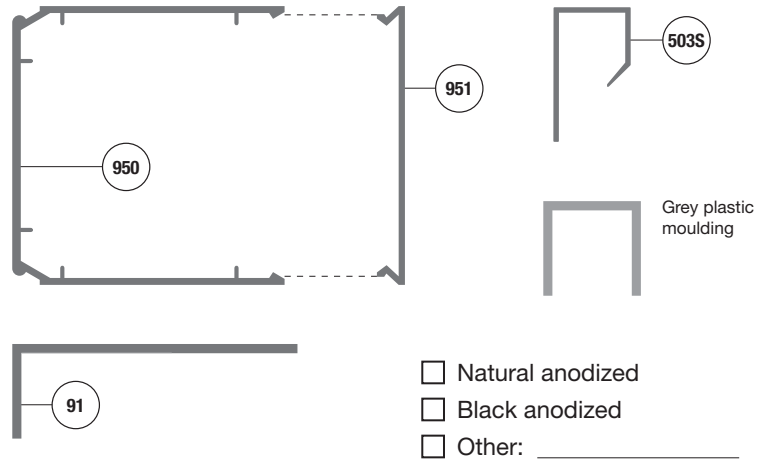
Writing surface (B)

- Lauzonite white green black grey
- Laminite white grey black
- Porcelain white green black

Location:

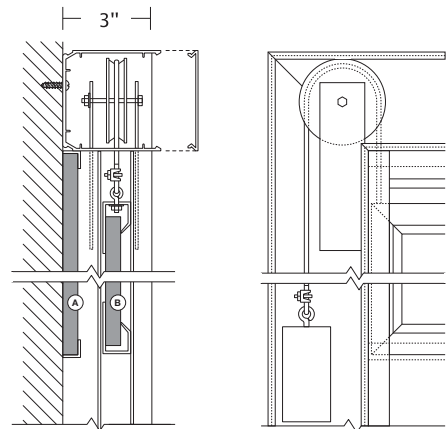
Notes:

Moulding



- Natural anodized
- Black anodized
- Other: _____

Mechanism



Contractor:

Architect:

Project:

Address: