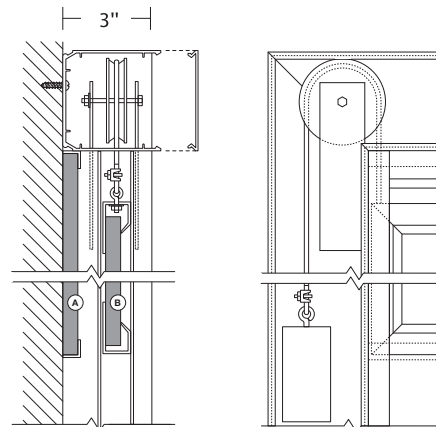
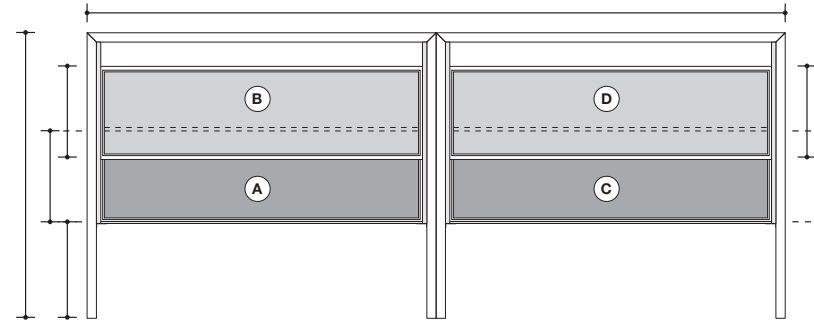


Mecanism



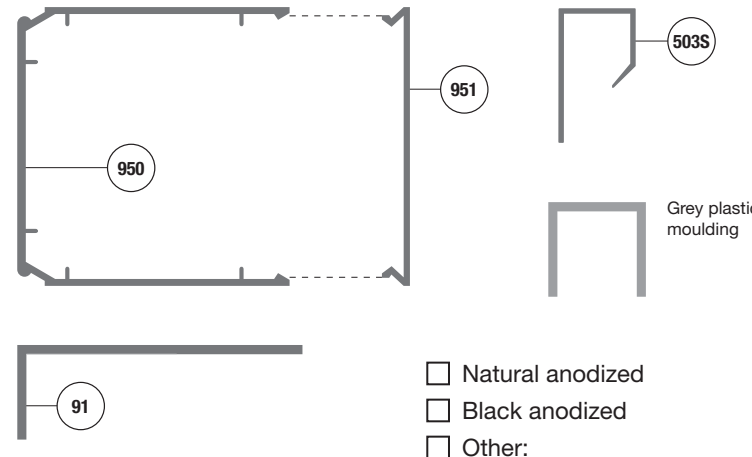
Dimensions



Total Height: _____ Total Width: _____
 Height: **A** _____ Height: **C** _____
 Height: **B** _____ Height: **D** _____

Location :

Moulding



Natural anodized
 Black anodized
 Other: _____

900 double

QUANTITY : _____

Writing surface **A (fixed)**

Lauzonite white green black grey
 Laminite white grey black
 Porcelain white green black

Writing surface **B (sliding)**

Lauzonite white green black grey
 Laminite white grey black
 Porcelain white green black

Writing surface **C (fixed)**

Lauzonite white green black grey
 Laminite white grey black
 Porcelain white green black

Writing surface **D (sliding)**

Lauzonite white green black grey
 Laminite white grey black
 Porcelain white green black

Contractor:

Architect:

Project:

Address:

DATE: _____ PAGE _____ OF _____