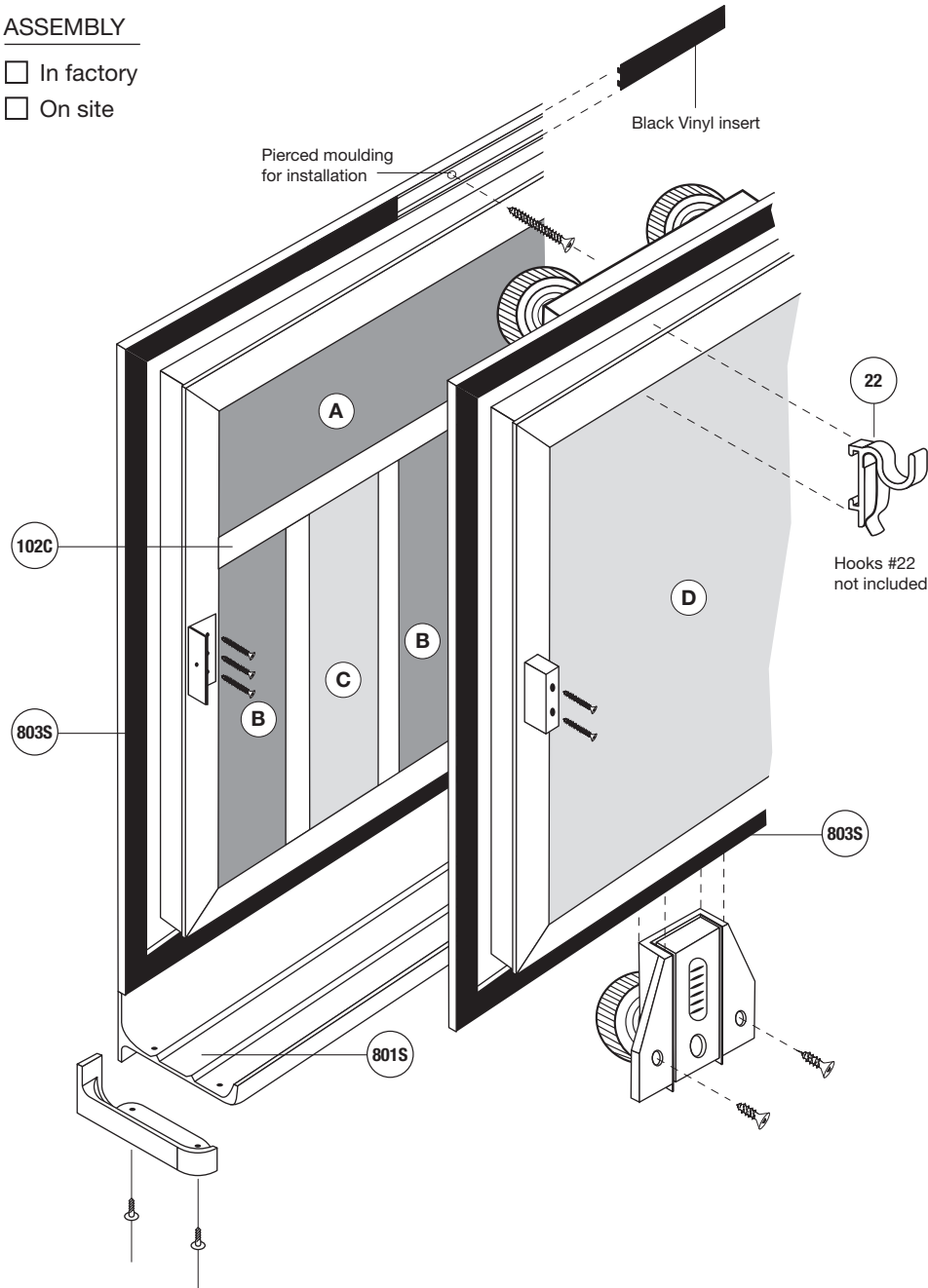
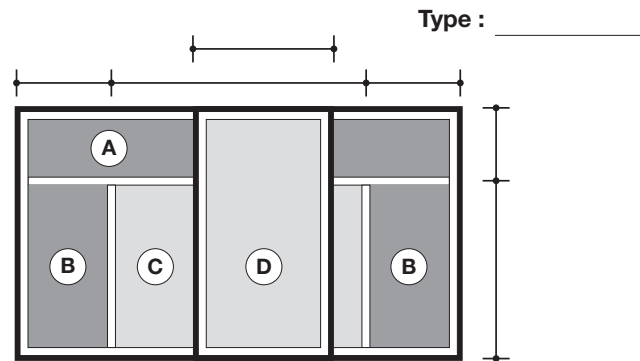


**ASSEMBLY**

- In factory
- On site



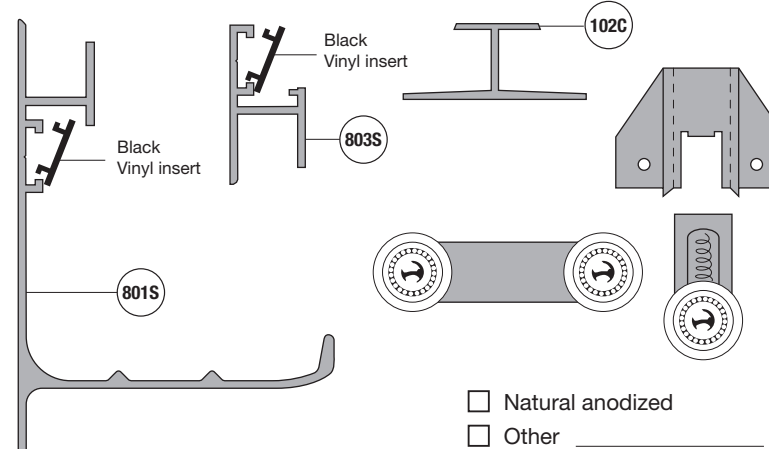
**Dimensions**



Total Height: \_\_\_\_\_ Total Width: \_\_\_\_\_  
 Dimension **A** \_\_\_\_\_ X \_\_\_\_\_ Dimension **B** \_\_\_\_\_ X \_\_\_\_\_  
 Dimension **C** \_\_\_\_\_ X \_\_\_\_\_ Dimension **D** \_\_\_\_\_ X \_\_\_\_\_

**Location:**

**Moulding**



**Mechanical joint**

Surface display of more than 12 feet only.



**8500**

QUANTITY : \_\_\_\_\_

**Surfaces and colors**

- Lauzonite ..... white, green, black or grey
- Laminite ..... white, grey or black
- Porcelain ..... white, green or black
- Natural cork ..... 1/4, 1/8, 1/32
- Colored cork ..... 12 colors available
- Fabric
- Velcro
- Other

To visualize the colors please consult our website at [www.cctn.com](http://www.cctn.com)

Surface **A** \_\_\_\_\_  
 Surfaces **B** \_\_\_\_\_  
 Surface **C** \_\_\_\_\_  
 Surface **D** \_\_\_\_\_

**Hooks (not included)**

Type #22 Quantity: \_\_\_\_\_

**Contractor:**

**Architect:**

**Project:**

**Address:**