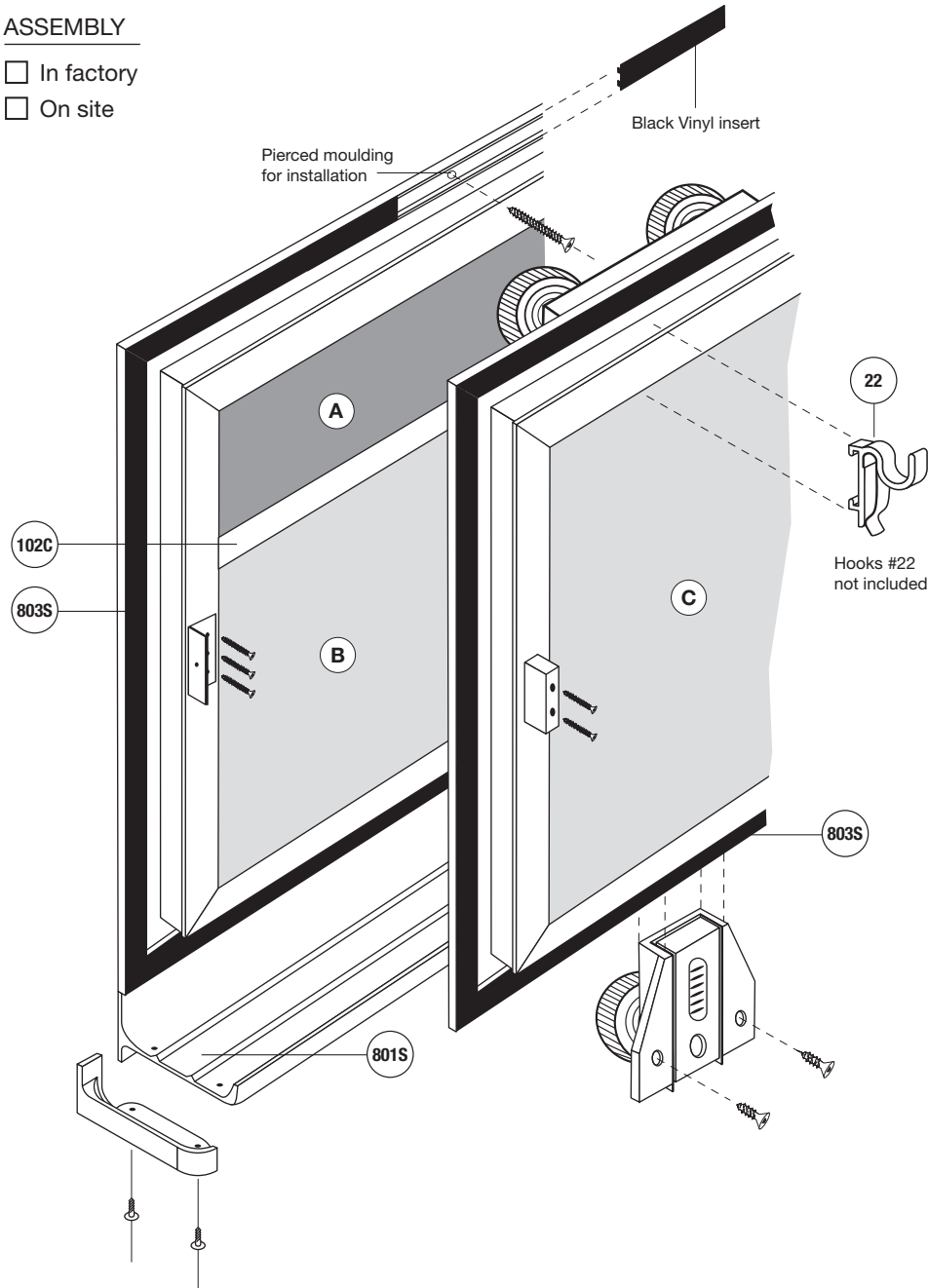


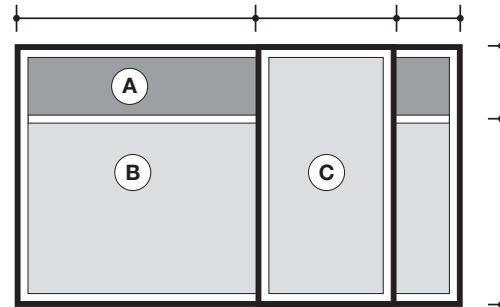
**ASSEMBLY**

- In factory
- On site



**Dimensions**

Type : \_\_\_\_\_



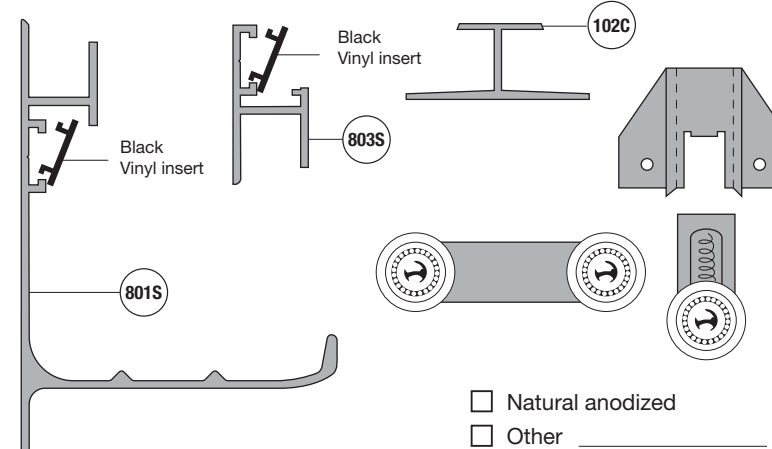
Total Height: \_\_\_\_\_ **A** Height: \_\_\_\_\_

Total Width: \_\_\_\_\_ **B** Height: \_\_\_\_\_

**C** Width: \_\_\_\_\_

**Location:**

**Moulding**



**Mechanical joint**

Surface display of more than 12 feet only.



**8500**

QUANTITY : \_\_\_\_\_

**Surfaces and colors**

- Lauzonite ..... white, green, black or grey
- Laminate ..... white, grey or black
- Porcelain ..... white, green or black
- Natural cork ..... 1/4, 1/8, 1/32
- Colored cork ..... 12 colors available
- Fabric
- Velcro
- Other

To visualize the colors please consult or website at [www.cctn.com](http://www.cctn.com)

Surface **A** \_\_\_\_\_

Surface **B** \_\_\_\_\_

Surface **C** \_\_\_\_\_

**Hooks (not included)**

Type #22      Quantity: \_\_\_\_\_

**Notes :**

**Contractor:**

**Architect:**

**Project:**

**Address:**