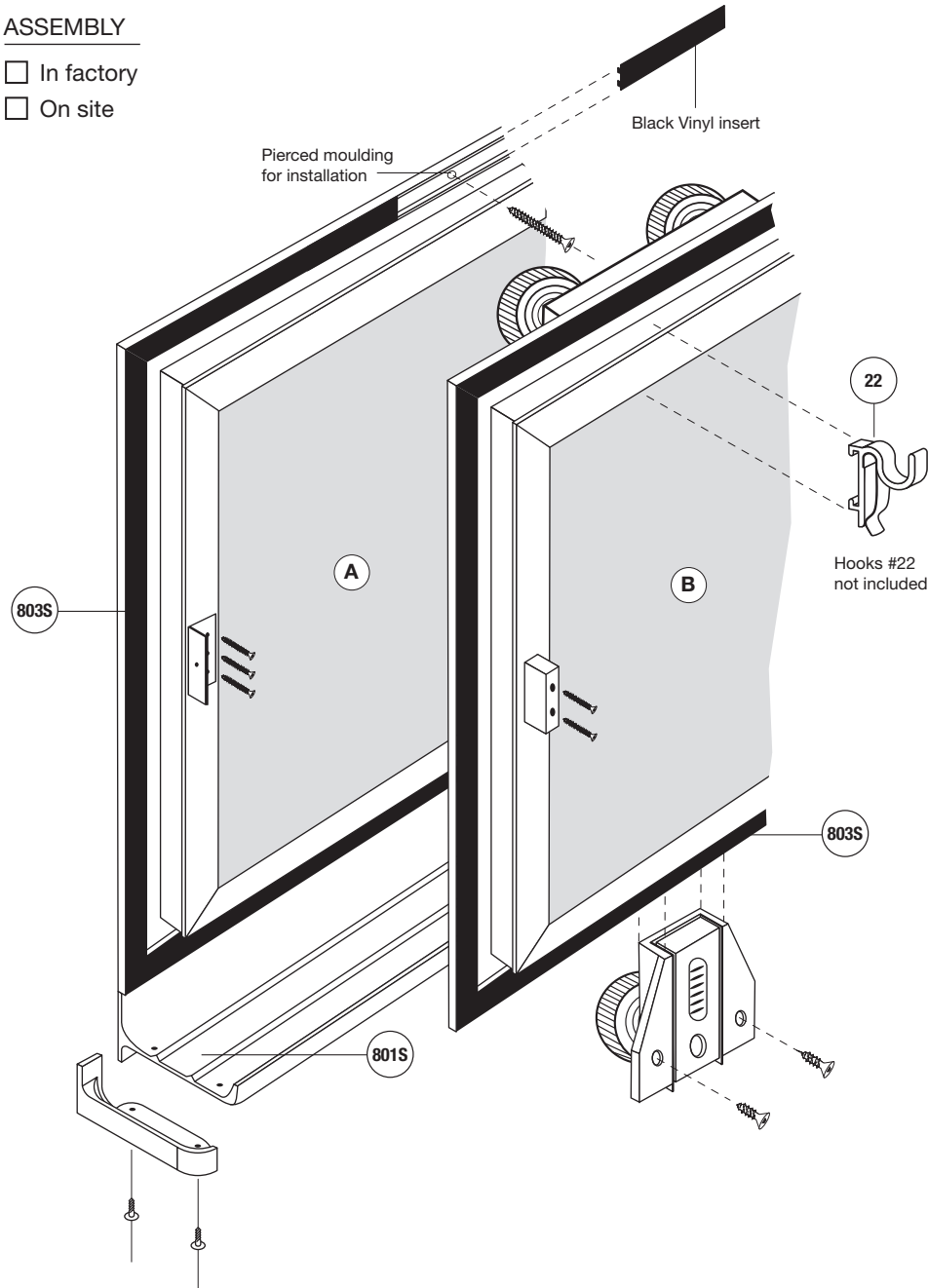


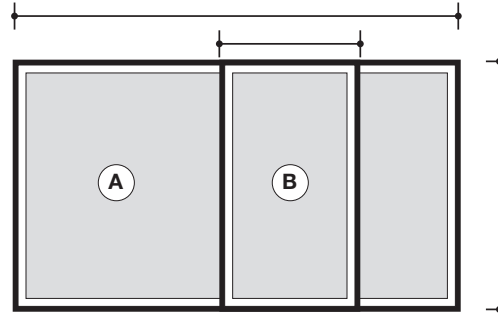
**ASSEMBLY**

- In factory  
 On site



**Dimensions**

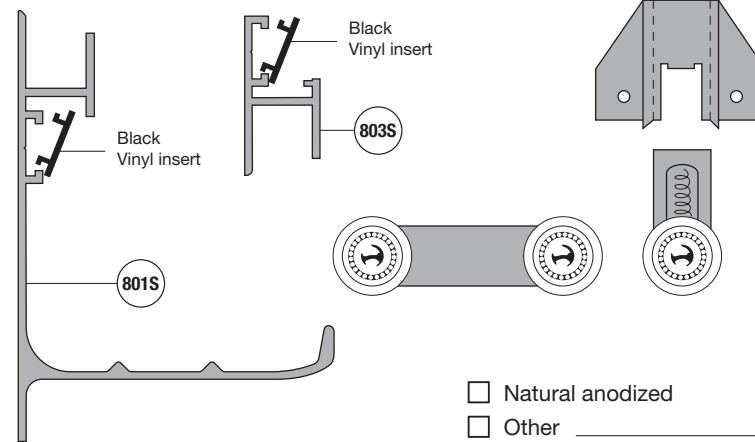
Type : \_\_\_\_\_



Total Height: \_\_\_\_\_ **B** Width: \_\_\_\_\_  
Total Width: \_\_\_\_\_

**Location:**

**Moulding**



**Mechanical joint**

Surface display of more than 12 feet only.



**8500**

QUANTITY : \_\_\_\_\_

**Surface A**

- Lauzonite     white     green     black     grey  
 Laminite     white     grey     black  
 Porcelain     white     green     black  
 Natural cork     1/4     1/8     1/32  
 Colored cork: \_\_\_\_\_  
 Fabric: \_\_\_\_\_  
 Velcro: \_\_\_\_\_  
 Other: \_\_\_\_\_

**Surface B**

- Lauzonite     white     green     black     grey  
 Laminite     white     grey     black  
 Porcelain     white     green     black  
 Other: \_\_\_\_\_

**Hooks (not included)**

- Type #22    Quantity: \_\_\_\_\_

**Contractor:**

**Architect:**

**Project:**

**Address:**