

**718 (Laminate Finish)**

QUANTITY:

DATE:

**Surfaces**

- (A) (B) (C)
- Lauzonite whiteboard
  - Lauzonite whiteboard + Notepad
  - White porcelain
  - White porcelain + Notepad
  - Natural cork
  - Natural cork + Notepad
  - Colored cork # \_\_\_\_\_
  - Colored cork # \_\_\_\_\_  
+ Notepad
  - Other: \_\_\_\_\_

Location:

Notes:

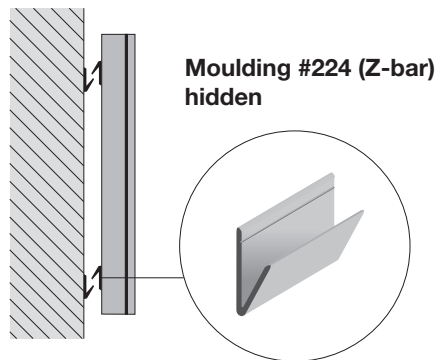
Contractor:

Architect:

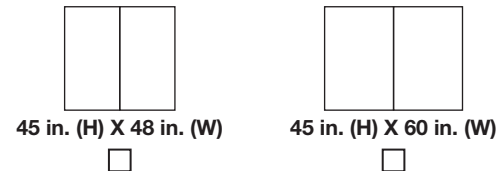
Project:

Address:

**Fastening**



**Standard dimensions**



**Supplies included**

Notepad on left panel  
Pencil and brush tray  
Pencil set (4) and brush (1)

**Other dimensions**

Height: \_\_\_\_\_ X Width (closed): \_\_\_\_\_

**Additional options**

- Standard projection screen
- Lighting box

**Finish**

- Cherry
- Light oak
- Mahogany
- Black oak
- Maple
- Other: \_\_\_\_\_