

716 (Melamine Finish)

QUANTITY: _____ DATE: _____

Display surface (A)

Natural cork WITH Notepad
 Natural cork WITHOUT Notepad

Writing surface (B)

Lauzonite whiteboard
 White porcelain

Display surface (C)

Natural cork WITH Notepad
 Natural cork WITHOUT Notepad

Location: _____

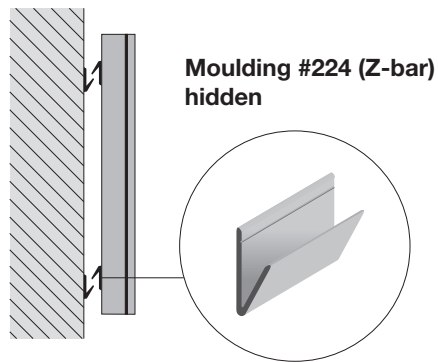
Notes: _____

Contractor: _____

Architect: _____

Project: _____
Address: _____

Fastening



Standard dimensions



Supplies included

Pencil and brush tray
Pencil set (4) and brush (1)

Other dimensions

Height: _____ X Width (closed): _____

Additional options

Lock

Finish

Cherry Black oak
 Light oak Maple
 Mahogany Other: _____