

714 (Wood veneer) **715** (Laminated)

QUANTITY:

DATE:

Surfaces

- A** **B** **C**
- Lauzonite whiteboard
- Porcelain
- Natural cork
- Natural cork + paper pad
- Colored cork # _____
- Colored cork # _____
+ paper pad
- Other _____

Location:

Notes:

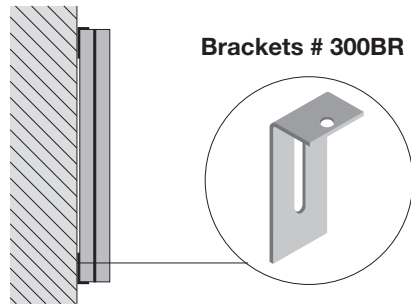
Contractor:

Architect:

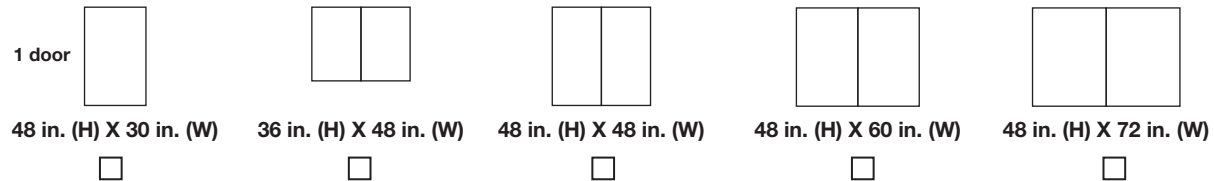
Project:

Address:

Fastening



Standard dimensions

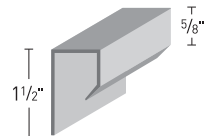


Others dimensions

Height : _____ X Width (closed) : _____

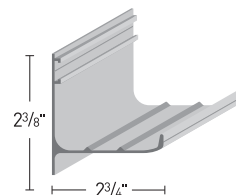
Moulding # 503S

- Natural anodised
- Black anodised
- Other: _____



Options

- Chalkrail + brush



Colors

- Chery Maple
- Light oak Other _____
- Mahogany
- Black oak