

**712 (Wood)**

<b>QUANTITY:</b>	<b>DATE:</b>
------------------	--------------

**Display surface (A)**

Natural cork WITH Notepad  
 Natural cork WITHOUT Notepad  
 Other: \_\_\_\_\_

**Writing surface (B)**

Lauzonite whiteboard  
 White porcelain

**Display surface (C)**

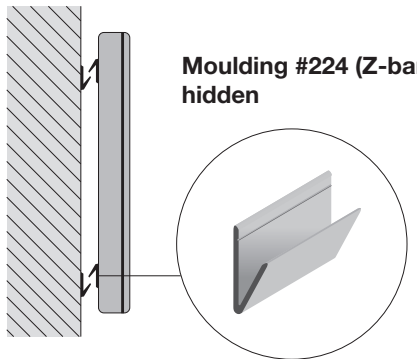
Natural cork WITH Notepad  
 Natural cork WITHOUT Notepad  
 Other: \_\_\_\_\_

**Location:**

\_\_\_\_\_

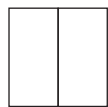
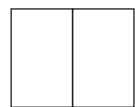
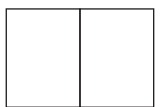
\_\_\_\_\_

**Fastening**



Moulding #224 (Z-bar) hidden

**Standard dimensions**

		
48 in. (H) X 48 in. (W)	48 in. (H) X 60 in. (W)	48 in. (H) X 72 in. (W)
<input type="checkbox"/>	<input type="checkbox"/>	<input type="checkbox"/>

**Supplies included**

Notepad on left panel  
Pencil and brush tray  
Pencil set (4) and brush (1)

**Other dimensions**

Height: \_\_\_\_\_ X Width (closed): \_\_\_\_\_

**Additional options**

Lock     Standard projection screen  
 Dye     Lighting box

**Finish**

Cherry     Black oak  
 Light oak     Maple  
 Mahogany     Other: \_\_\_\_\_

**Notes:**

\_\_\_\_\_

\_\_\_\_\_

**Contractor:**

\_\_\_\_\_

**Architect:**

\_\_\_\_\_

**Project:**

\_\_\_\_\_

**Address:**

\_\_\_\_\_

\_\_\_\_\_

PAGE \_\_\_\_\_ OF \_\_\_\_\_