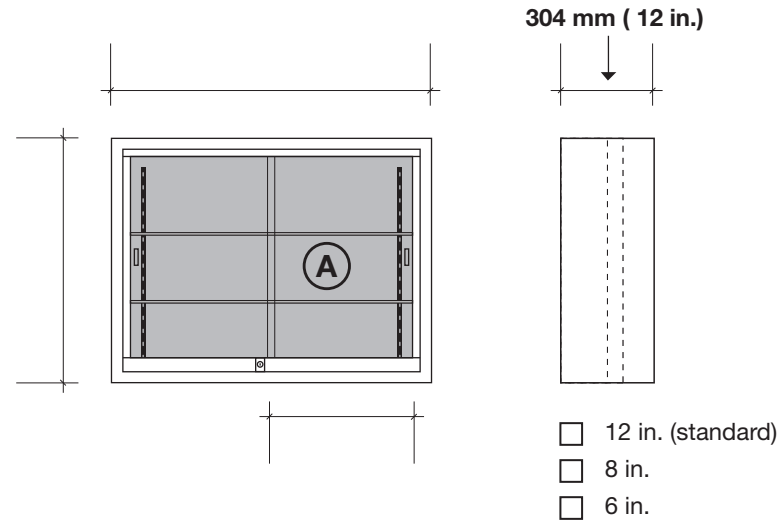
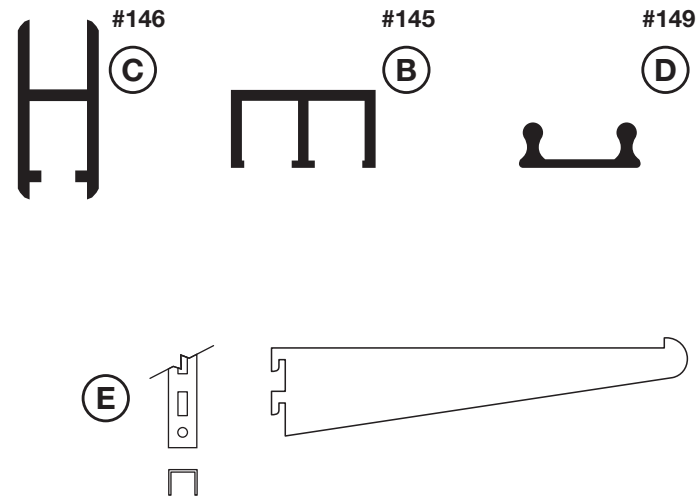


Dimensions



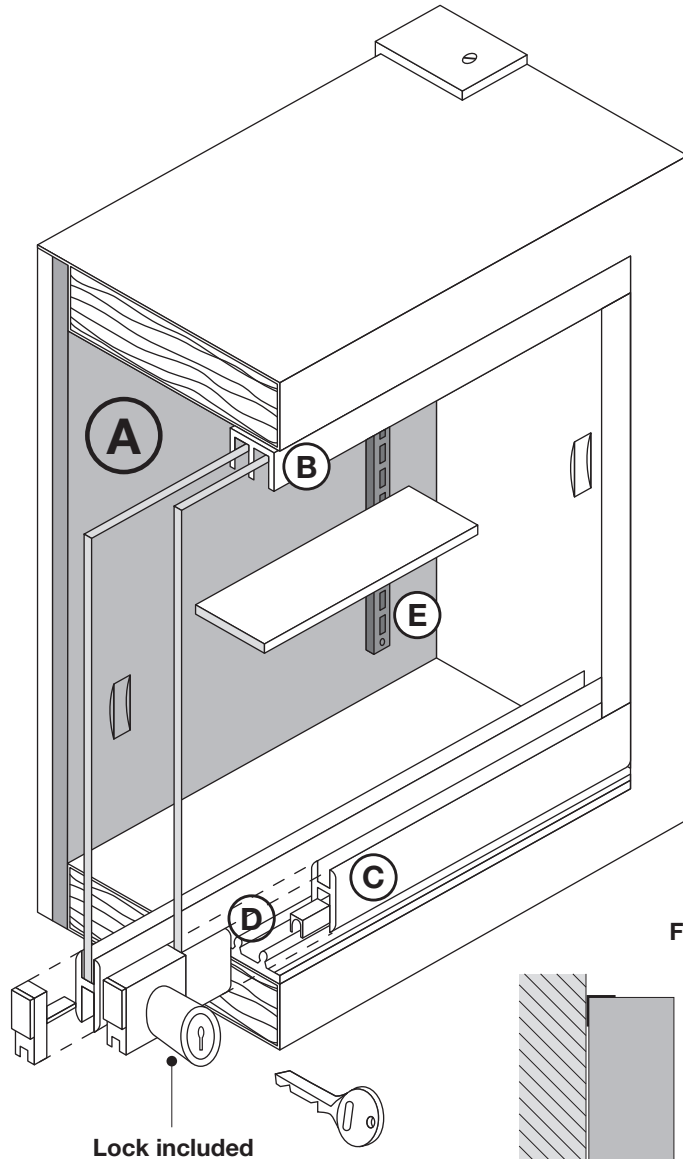
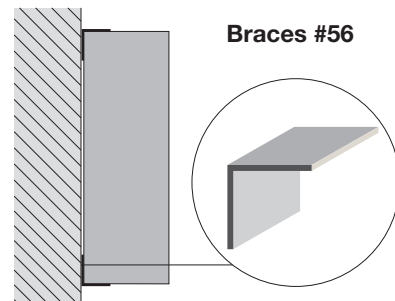
Moulding

All mouldings are in natural anodized aluminum



Fastening

Braces #56



680 (Display Showcase)

QUANTITY:

DATE:

Surface (A)

- Natural cork
- Colored cork # _____
- Fabric
- Velcro

Exterior finish available in melamine or laminate

- Cherry
- Light oak
- Black oak
- Mahogany
- Maple
- Other: _____

Location:

Notes:

Contractor:

Architect:

Project:

Address: