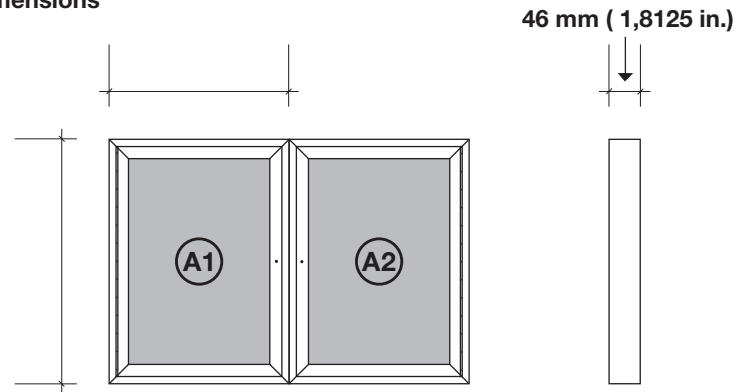


**Dimensions**

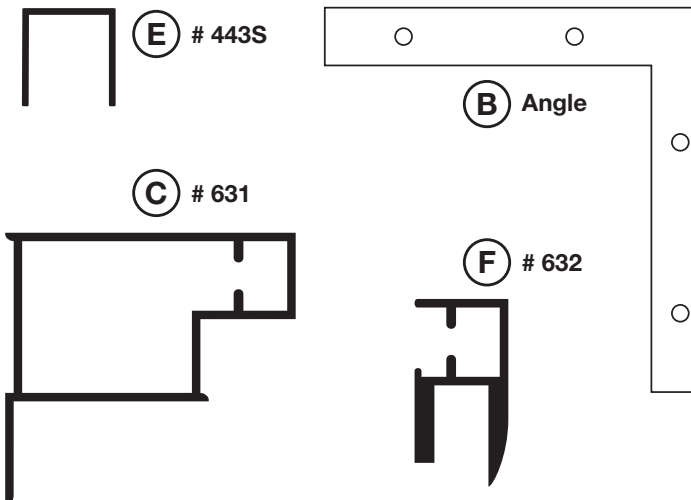


**Standard dimensions**

- |  |  |
|--|--|
| <input type="checkbox"/> 24 in. (H) X 18 in. (W) | <input type="checkbox"/> 48 in. (H) X 48 in. (W) |
| <input type="checkbox"/> 36 in. (H) X 24 in. (W) | <input type="checkbox"/> Others: _____           |
| <input type="checkbox"/> 36 in. (H) X 36 in. (W) | Height: _____                                    |
| <input type="checkbox"/> 48 in. (H) X 36 in. (W) | Width: _____                                     |

**Moulding**

All mouldings are in natural anodized aluminum



**650** (Display Showcase)

QUANTITY: \_\_\_\_\_

DATE: \_\_\_\_\_

**Surfaces**

- (A1) (A2)
- Natural cork
- Colored cork: \_\_\_\_\_
- Fabric
- Velcro
- Other: \_\_\_\_\_

**Exterior finish**

- Natural anodized
- Black anodized
- Massive oak
- Other: \_\_\_\_\_

Location: \_\_\_\_\_

Notes: \_\_\_\_\_

Contractor: \_\_\_\_\_

Architect: \_\_\_\_\_

Project: \_\_\_\_\_

Address: \_\_\_\_\_