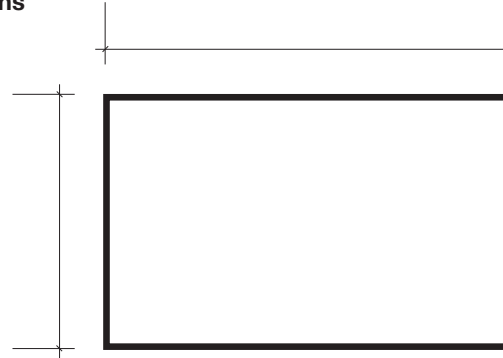


**Dimensions**

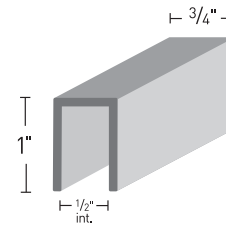


**Standard dimensions**

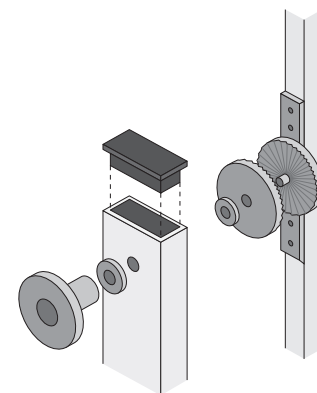
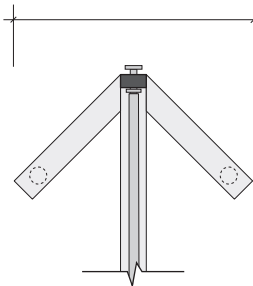
- |  |  |
|--|--|
| <input type="checkbox"/> 36 in. (H) X 48 in. (W) | <input type="checkbox"/> 48 in. (H) X 96 in. (W) |
| <input type="checkbox"/> 48 in. (H) X 48 in. (W) | <input type="checkbox"/> Others: _____           |
| <input type="checkbox"/> 48 in. (H) X 72 in. (W) | Height: _____                                    |
|  | Width: _____                                     |

**Moulding #959**

- Natural anodized
- Black anodized
- Other: \_\_\_\_\_



508 mm ( 20 in.)



**555**

QUANTITY:

DATE:

**Surfaces**

- |                                     |                                     |              |
|-------------------------------------|-------------------------------------|--------------|
| <input type="checkbox"/> <b>(A)</b> | <input type="checkbox"/> <b>(B)</b> |              |
| <input type="checkbox"/>            | <input type="checkbox"/>            | Lauzonite    |
| <input type="checkbox"/>            | <input type="checkbox"/>            | Laminite     |
| <input type="checkbox"/>            | <input type="checkbox"/>            | Porcelain    |
| <input type="checkbox"/>            | <input type="checkbox"/>            | Natural cork |
| <input type="checkbox"/>            | <input type="checkbox"/>            | Colored cork |
| <input type="checkbox"/>            | <input type="checkbox"/>            | Fabric       |
| <input type="checkbox"/>            | <input type="checkbox"/>            | Velcro       |
| <input type="checkbox"/>            | <input type="checkbox"/>            | Other: _____ |

Surface color

**(A)** \_\_\_\_\_

Surface color

**(B)** \_\_\_\_\_

Location:

Notes:

Contractor:

Architect:

Project:

Address: