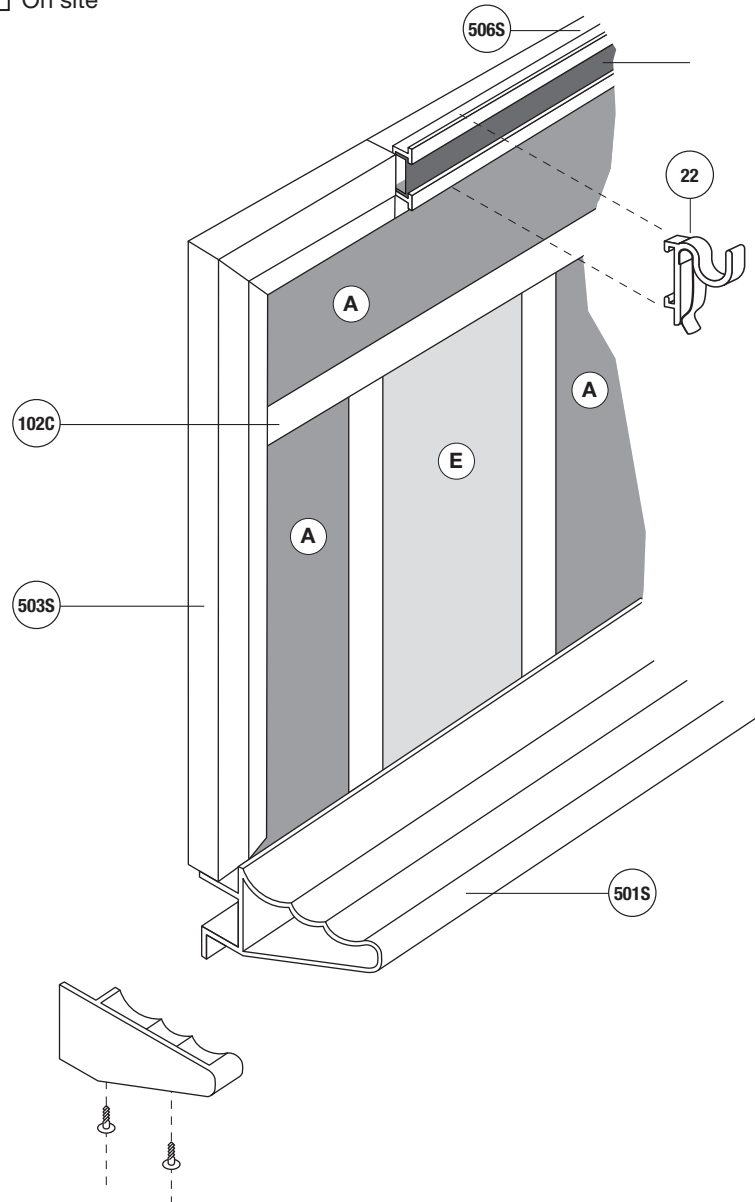


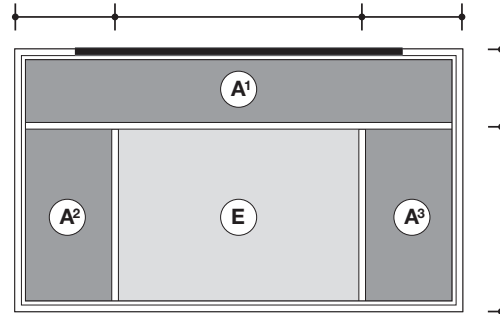
ASSEMBLY

- In factory
 On site



Dimensions

Type : _____

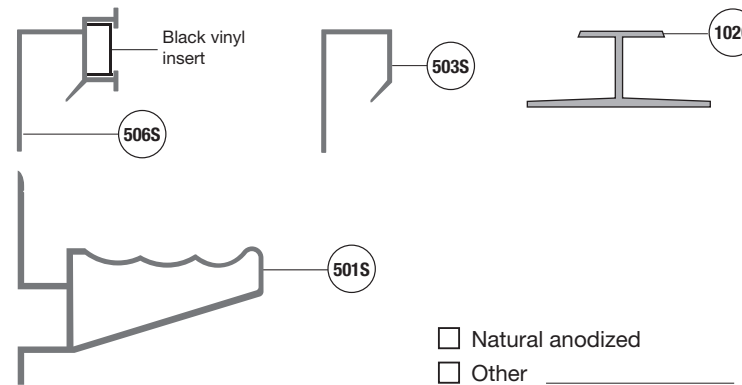


- (A)** Display
(E) Writing

(A¹) Dimensions: _____ X _____ **(E)** Dimensions: _____ X _____
(A²) Dimensions: _____ X _____ Total Heigh: _____
(A³) Dimensions: _____ X _____ Total Width: _____

Location:

Moulding



Mechanical joint

Surface display of more than 12 feet only.



5000

QUANTITY : _____

Writing surface (E)

- Lauzonite white green black grey
 Laminite white grey black
 Porcelain white green black

Display surface (A)

- (A¹)** **(A²)** **(A³)**
 Natural cork 1/4 1/8 1/32
 Colored cork: _____
 Fabric: _____
 Velcro: _____
 Other: _____

Hooks (not included)

- Type #22 Quantity: _____

Notes :

Contractor:

Architect:

Project:

Address: