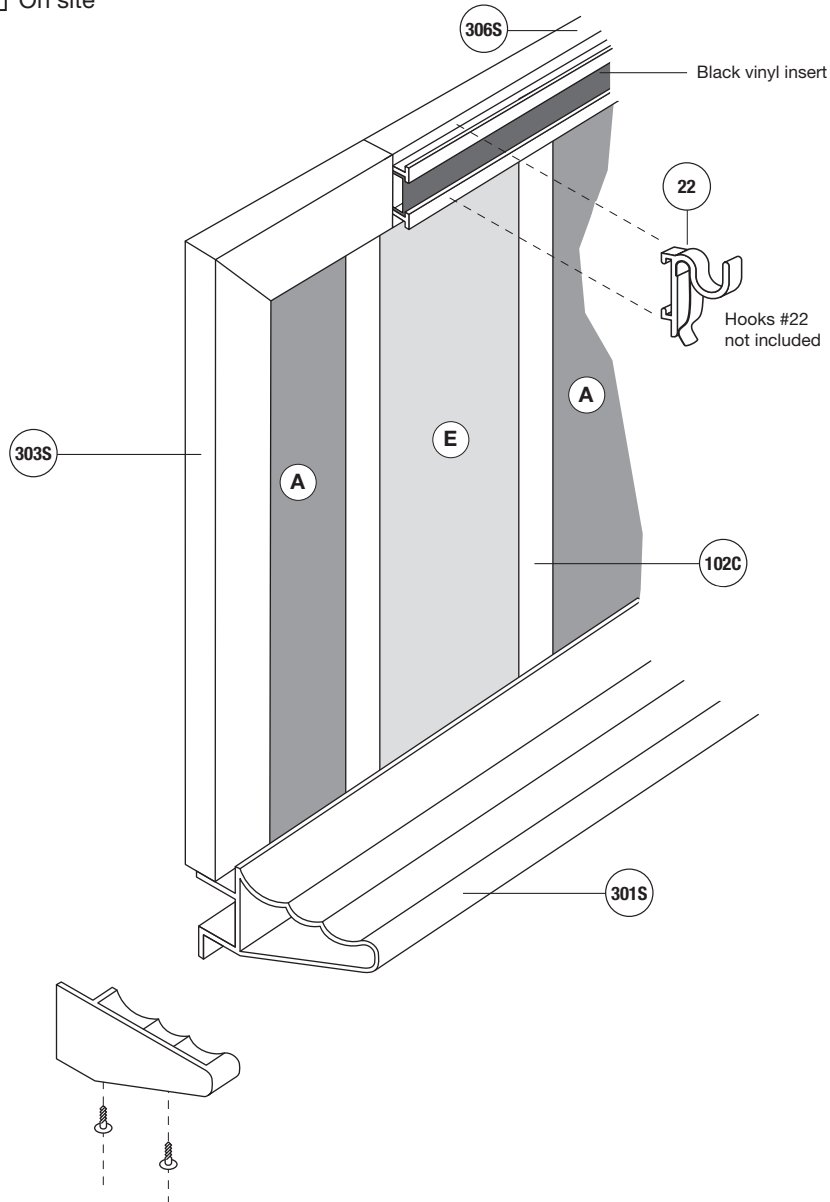


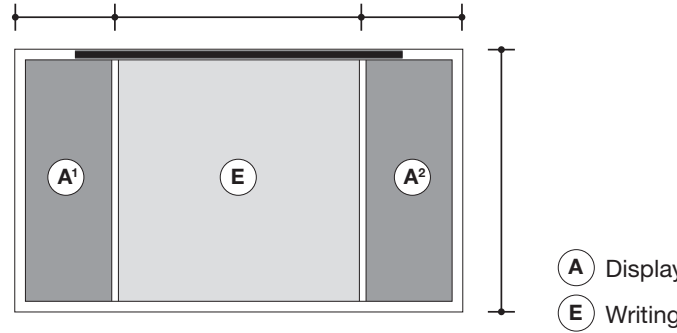
**ASSEMBLY**

- In factory  
 On site



**Dimensions**

Type : \_\_\_\_\_

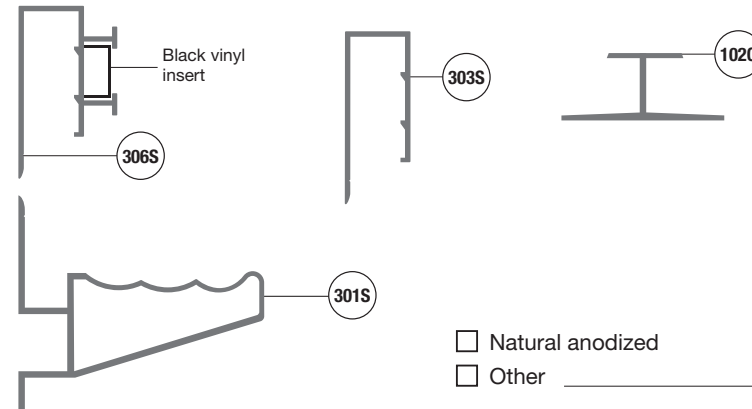


Total Height: \_\_\_\_\_ Total Width: \_\_\_\_\_

A<sup>1</sup> Width: \_\_\_\_\_ A<sup>2</sup> Width: \_\_\_\_\_ E Width: \_\_\_\_\_

**Location:**

**Moulding**



**Mechanical joint**

Surface display of more than 12 feet only.



**3000**

QUANTITY : \_\_\_\_\_

**Writing surface (E)**

- Lauzonite     white     green     black     grey  
 Laminite     white     grey     black  
 Porcelain     white     green     black

**Display surface (A)**

- A<sup>1</sup> A<sup>2</sup>  
  Natural cork     1/4     1/8     1/32  
  Colored cork: \_\_\_\_\_  
  Fabric: \_\_\_\_\_  
  Velcro: \_\_\_\_\_  
  Other: \_\_\_\_\_

**Hooks (not included)**

- Type #22    Quantity: \_\_\_\_\_

**Notes :**

**Contractor:**

**Architect:**

**Project:**

**Address:**